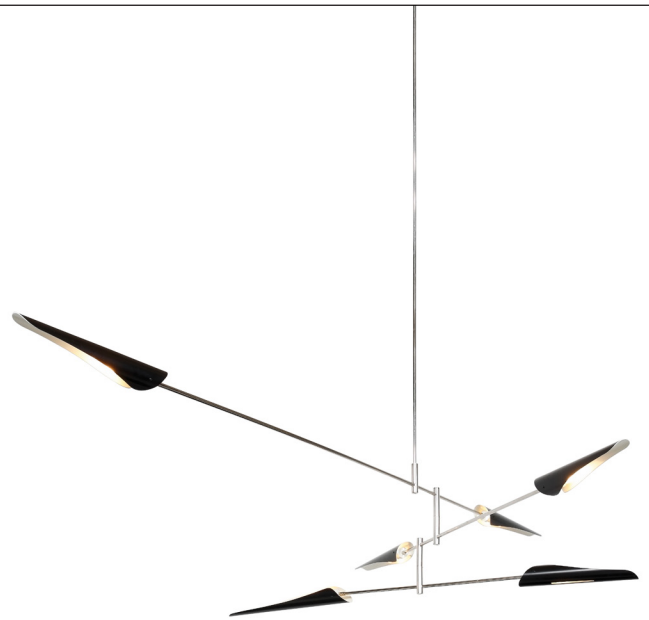
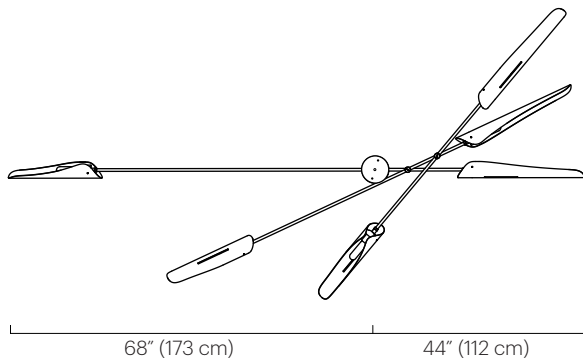
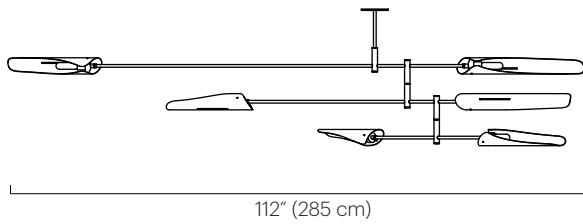


No. 428



Description

The Sarus Mobile is a carefully balanced fixture, featuring three tiers of differing lengths. Each tier has one large and one small Sarus shade. Tiers scissor open when installed; arrangement is adjustable on site. Shades swivel 320° to cast light directionally.

Materials

Shades: Powder coated aluminum
 Frame: Plated steel
 Ceiling mount: Powder coated steel
 Drop: Plated steel

Shade Color

- Black Satin (ivory satin interior)
- White Satin (ivory satin interior)

Finish

- Polished Nickel

Lamping

120V; (6)T10 tubular incandescent medium base 60W max
 Note: Bulbs not included. Halogen bulbs not recommended.

Wattage

360 watts max

Weight

25 lbs (11.3 kg)

Remarks

Each tier has two shades. Ceiling mount consistent with shade color. Additional weight support recommended for junction box installation. Indoor use and dry locations only.

Dimensions

Tier 1: 112" (285 cm)
 Tier 2: 82" (208 cm)
 Tier 3: 69" (175 cm)
 Ceiling mount diameter: 5" (13 cm)
 Minimum overall height: 19" (48 cm)
 Large Shade: 23" L x 3" Ø (58 L x 8 Ø cm)
 Small Shade: 18" L x 3" Ø (46 L x 8 Ø cm)

