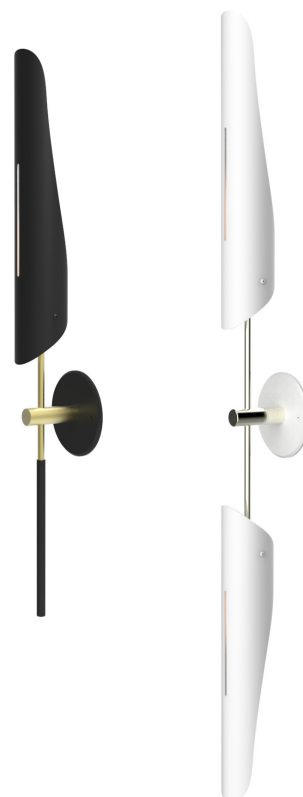
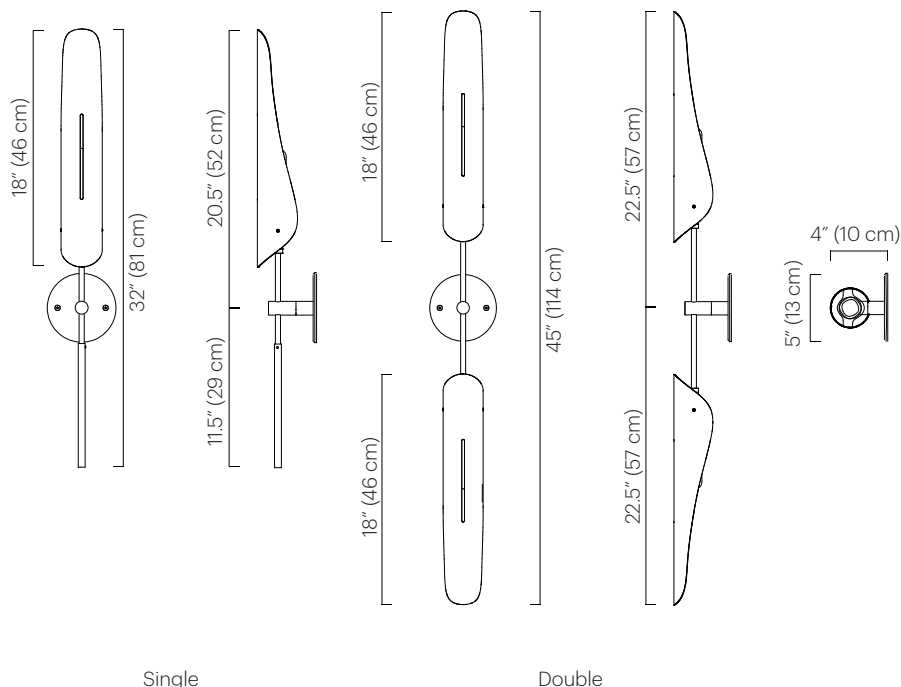


No. 221



**Description**

The Sarus Sconce features two arms on opposing sides affixed to a powder coated steel wall mount. Shade swivels 320° to cast light directionally. Single or double shade options available.

**Materials**

Shade: Powder coated steel  
 Wall mount: Powder coated steel  
 Hardware: Plated brass  
 Arm: Plated steel

**Mount & Shade Color**

- Black Satin (ivory satin interior)
- Grey Gloss (ivory satin interior)
- Ivory Satin (ivory satin interior)
- White Satin (white satin interior)

Custom colors available.

**Finish**

- Nickel
- Brass

Custom finishes available.

**Lamping**

120V:(1 or 2)T10 tubular incandescent medium base 60W max  
 220-240V: (1 or 2) E27 base (tubular 32mm suggested) 60W max  
 Note: Bulbs not included.  
 Halogen bulbs not recommended.

**Wattage**

Single: 60 watts max  
 Double: 120 watts max

**Weight**

5lb (2.3 kg)

**Remarks**

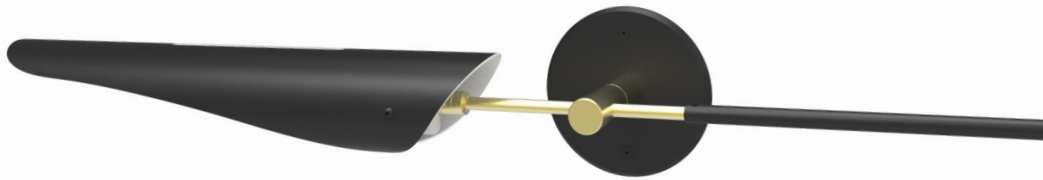
UL Listed.  
 Hardwired is standard.  
 Indoor use and dry locations only.  
 Wall mount consistent with shade color.  
 Counterweights are black.

**Dimensions**

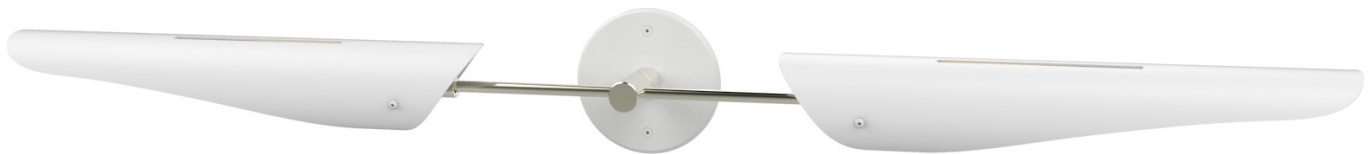
Single: 4" D x 5" W x 32" H (10 D x 13 W x 81 cm H)  
 Double: 4" D x 5" W x 45" H (10 D x 13 W x 114 cm H)  
 Wall mount diameter: 5" (13 cm)  
 Shade: 18" L x 3" Ø (46 L x 8 Ø cm)



No. 221



Single Horizontally Wall Mounted



Double Horizontally Wall Mounted