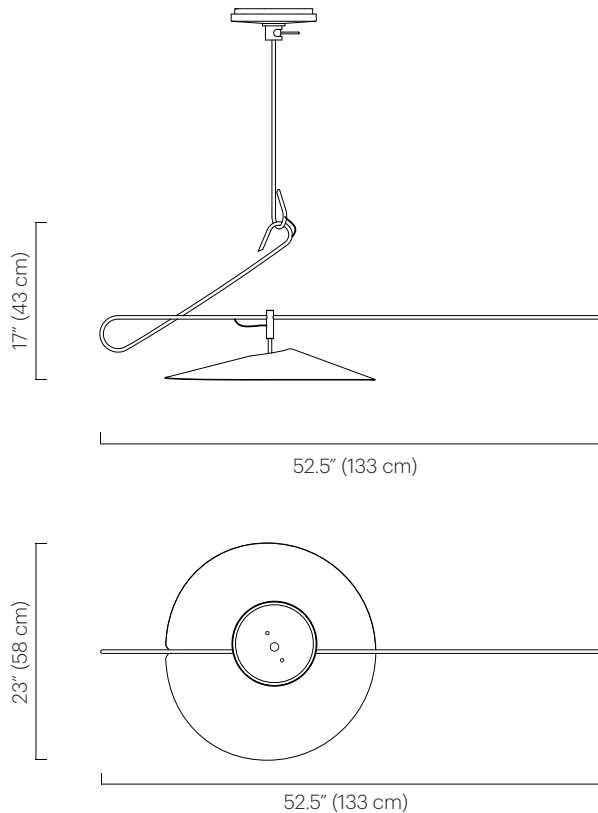


# Treble Single

## TECHNICAL SPECIFICATIONS

No. 451



### Description

The Treble Single is a balanced fixture on an asymmetrical axis, which allows gentle movement. The fixture has one Treble shade constructed from a flat cut aluminum pattern held together in tension, illuminated by a dimmable LED with a glass diffuser. The fixture can rotate 245° from the canopy.

### Materials

Shade: Anodized or powder coated aluminum  
Ceiling mount: Powder coated aluminum and steel.  
Frame: Plated brass  
Drop: Plated brass  
Lamp enclosure: Glass, aluminum, steel and plated brass.

### Shade Color

Powder coated:

- Black Satin (ivory satin interior)
- Grey Gloss (ivory satin interior)
- Ivory Satin (ivory satin interior)
- White Satin (white satin interior)

Custom colors available.

Anodized:

- Polished Black (matte gold interior)
- Polished Black (red ombre interior)

### Finish

- Brushed Brass
- Polished Nickel

Custom finishes available.

### Lamping

LED: Warm white 2700K  
Lumens: 1200 (equivalent to one 75W incandescent bulb)  
CRI: 95+  
50,000 LED life hours (approx.)

### Power Supply

60W 24V  
For 120V areas: dimmable Class 2 included in canopy.  
For 220-240V areas: remote power supply only. Not included.

### Dimmer Compatibility

ELV Dimmer compatible

### Voltage / Wattage

24V /12W

### Weight

10 lbs (4.5 kg)

### Remarks

Specify drop length.  
Fixed drop not adjustable on site.  
Arm length is fixed.  
Shade does not rotate.  
Not for use on sloped ceilings.  
Black exterior electrical cord is standard.  
Hardware finish consistent with frame finish.  
Ceiling mount consistent with shade color.  
Additional weight support recommended for junction box installation.  
Indoor use and dry locations only.

### Dimensions

52.5" L x 23" W x 17" H  
(133 L x 58 W x 43 cm H)  
Canopy mount: 9" Ø x 3.5" H  
(23 Ø x 9 cm H)  
Shade: 23" Ø x 4" H  
(58 Ø x 10 cm H)  
Min. overall height: 25" (63 cm)



# David Weeks Studio

**STOREFRONT**  
38 Walker Street  
New York, NY 10013  
212 966 3433

sales@DavidWeeksStudio.com  
www.DavidWeeksStudio.com