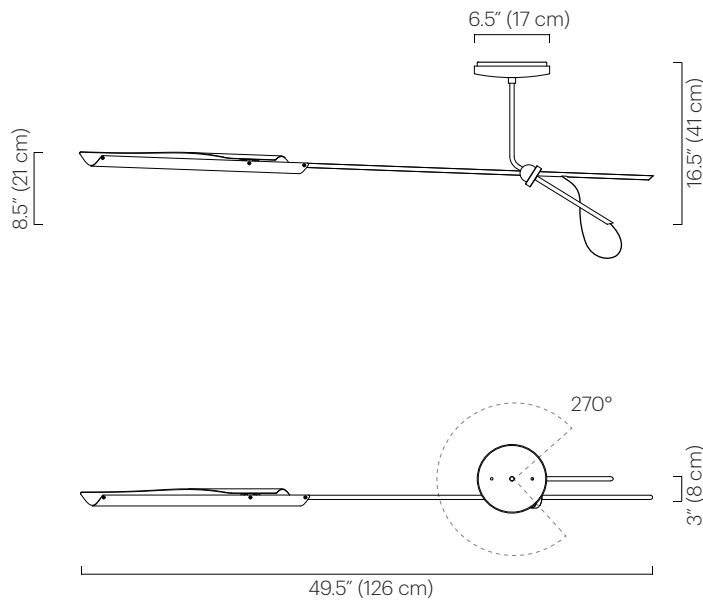


No. 443



Description

The OTTO One Arm S is a lower profile version of our OTTO One Arm fixture featuring a single cantilevered arm. The OTTO shade contains a dimmable LED source and rotates 300° to cast light directionally. The fixture can rotate 270° from the canopy.

Materials

Shade: Powder coated aluminum
 Ceiling mount: Powder coated aluminum and steel.
 Frame: Plated brass
 Drop: Plated brass
 Hardware: Plated and polished brass

Shade Color

- Black Satin (ivory satin interior)
- Grey Gloss (ivory satin interior)
- Ivory Satin (ivory satin interior)
- White Satin (white satin interior)

Custom colors available.

Finish

- Brushed Brass
- Polished Nickel

Custom finishes available.

Lamping

LED: Warm white 2700K
 Lumens: 840 (equivalent to one 60W incandescent bulb)
 CRI: 80+
 50,000 LED life hours (approx.)

Power Supply

60W 24V
 For 120V areas: dimmable Class 2 included in canopy.
 For 220-240V areas: remote power supply only. Not included.

Dimmer Compatibility

ELV Dimmer compatible

Voltage / Wattage

24V /12W

Weight

5 lbs (2.3 kg)

Remarks

Fixed drop not adjustable on site. Arm length is fixed. Not for use on sloped ceilings. Black exterior electrical cord is standard. Hardware finish consistent with frame finish. Ceiling mount consistent with shade color. Additional weight support recommended for junction box installation. Indoor use and dry locations only.

Dimensions

49.5" L x 16.5" H x 3" W
 (126 L x 41 H x 8 cm W)
 Canopy mount: 6.5" Ø x 1.25" H
 (17 Ø x 3 cm H)
 Shade: 1.5" Ø x 20" L
 (4 Ø x 51 cm L)