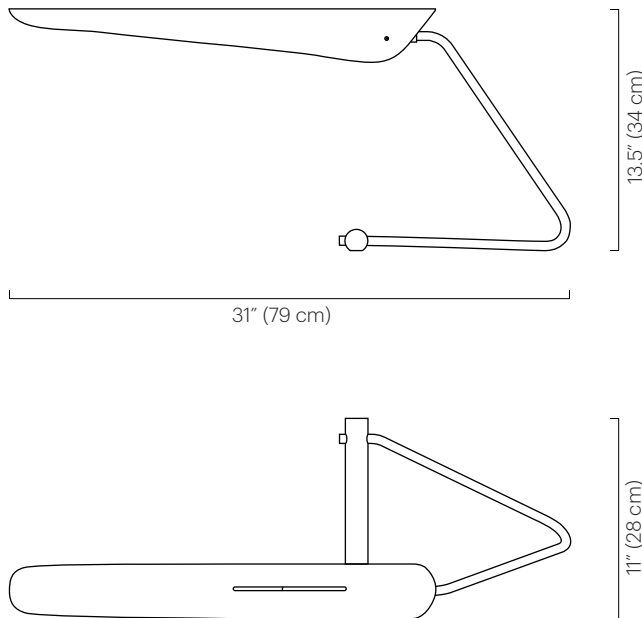


Sarus Table Lamp

TECHNICAL SPECIFICATIONS

No. 113



Description

The Sarus shade is mounted to a hand bent steel frame. The powder coated aluminum shade rotates 320° to cast light directionally.

Materials

Shade: Powder coated aluminum
Frame: Plated steel
Base: Powder coated steel

Base & Shade Color

- Black Satin (ivory satin interior)
- Grey Gloss (ivory satin interior)
- Ivory Satin (ivory satin interior)
- White Satin (white satin interior)

Custom colors available.

Finish

- Polished Nickel
- Brushed Brass

Custom finishes available.

Lamping

120V: T10 tubular incandescent medium base 40W max
220-240V: E27 base (tubular 32mm recommended) 40W max
Note: Bulbs not included.
Halogen bulbs not recommended.

Wattage

40 watts max

Weight

5 lbs (2.3 kg)

Remarks

UL listed.
On/Off switch located on cord.
Shade and base are same color.
Cord color is black;
length approx. 7 feet.
Indoor use and dry locations only.

Dimensions

31" D x 11" W x 13.5" H
(79 D x 28 W x 34 cm H)
Shade: 3" Ø x 23" L
(8 Ø x 58 cm L)

**David
Weeks
Studio**



STOREFRONT
38 Walker Street
New York, NY 10013
212 966 3433

sales@DavidWeeksStudio.com
www.DavidWeeksStudio.com

May 2019