

# OTTO Torch

No 215

## INSTRUCTIONS

**Thank you for your purchase of a David Weeks Studio lighting fixture. We are proud to offer a full range of lighting products solely made in the USA. We use only the highest quality UL compliant components from the USA and Europe. Each lamp is fabricated and assembled in our Brooklyn, NY shop. We make every effort to produce our lights to the highest standards.**

### Warranty

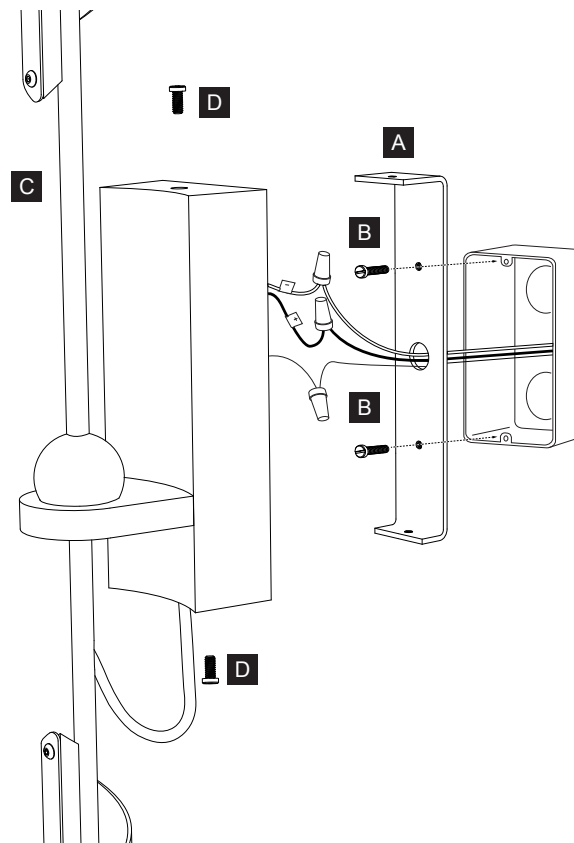
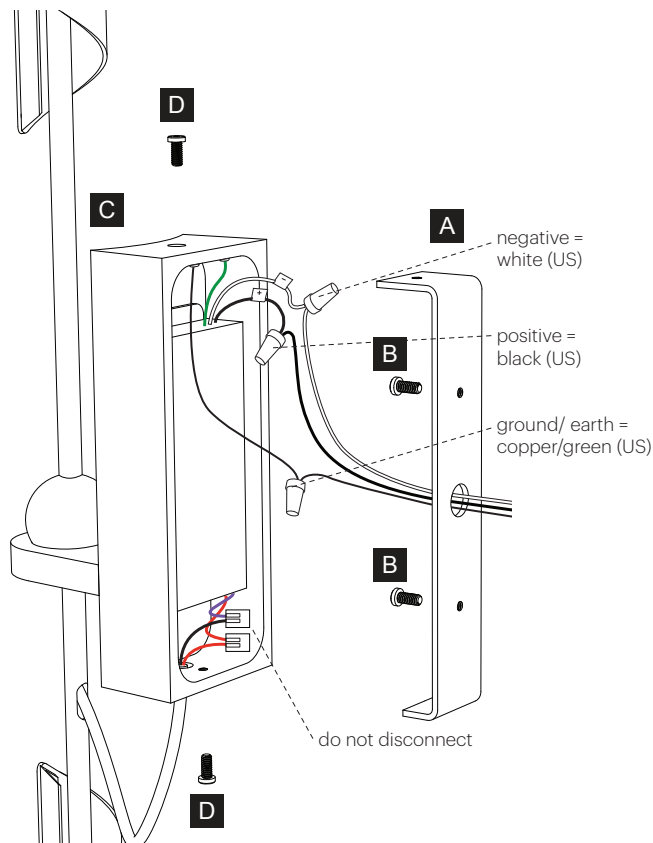
David Weeks Studio (DWS) will guarantee its products to be free from defects in workmanship for a period of five (5) years from date of shipment. Parts and materials are guaranteed to be repair or replace, at its option, free of charge, products or parts that are proven to be defective. This warranty does not apply to damages resulting from accident, abuse, alteration, tampering, misuse, mishandling, or negligence. Defective products will be replaced within the normal production time period required to reorder and manufacture the same product. Transportation of fixtures in need of repair will be the responsibility of buyer. Handling of fixtures in transport will be the responsibility of buyer. DWS will not be held responsible for damages which occur during installation, or by transportation after the initial packing material is removed. DWS will not be responsible for any products subjected to inappropriate application or fixtures installed or modified in any way that is not in accordance with DWS instructions. Any modification of fixtures absolves DWS of any liability and voids warranty.

### Care & Cleaning

DWS lamps primarily use chrome-plated steel. We buy our steel from the best steel yards in the Tri-State area. We have made every effort to get the cleanest material available, but all raw materials have a level of imperfection. We try to eliminate as many imperfections as possible, however, buyer should be aware there will be tiny imperfections due to the handcrafted nature of the fixtures. Many metal finishes are applied by hand and may vary in color, tone and character. While DWS will make every effort to match a finish, no guarantee can be made of an exact match. Manufacturer does not guarantee finishes against fading and oxidizing. Regular polishing is recommended. Arms, hardware and shades can be cleaned with a mild spray cleaner (Fantastic, Windex, etc.) to remove fingerprints or dust. If tarnish occurs, use Tarn-X according to directions.

# OTTO Torch

No 215



1. All fixtures are built for standard 4" U.S. J-box.
2. You will need two people for installation.
3. Fixture weighs approximately 10 lbs. Make sure location has adequate support.
4. Leave wrap on shades until installation is complete. DO NOT use razor blade to open; shades scratch easily.
5. Turn off circuit breaker connected to junction box (J-box) where fixture is being installed.
6. Remove the back plate from the Wall mount by unscrewing the screws (D) on the top and bottom of the mount.
7. Run the wires from the J-box through the center hole of the back plate (A). Then attach back plate to the J-Box with screws. (B).
8. Have a second person hold the sconce. Connect each wire to corresponding wire: live to live, neutral to neutral, and ground to ground. Use wire nuts to secure wires, and wrap connections in electrical tape.
9. Tuck wire nuts into back of sconce and carefully place sconce (C) over the back plate, and attach using the screws (D).

## Care Instructions

- Arms, hardware and shades can be cleaned with any mild spray cleaner or soft cloth to remove fingerprints or dust.

## Important!

- Before installation ensure power supply is disconnected at fuse box.
- Fixtures are designed for normal climate conditions.
- Lighting is for use in dry locations and indoor environments.
- This lamp must be installed in accordance with the applicable installation code by a person familiar with the construction and operation of the product and the hazards involved.

## Electrical Wires

- Positive = Red / Black (US)
- Negative = Black / White (US)
- Ground/Earth = Copper/Green (US)

## Lamping

- Integrated LEDs