

Boi Suspension Fixtures

No 418 - 419

INSTRUCTIONS

Thank you for your purchase of David Weeks Studio lighting. We use only the highest quality UL-compliant components from the USA and Europe. Each lamp is handcrafted and assembled in our Brooklyn, NY shop. We make every effort to produce our lights to the highest standards.

Warranty

David Weeks Studio (DWS) will guarantee its products to be free from defects in workmanship for a period of five (5) years from date of shipment. Parts and materials are guaranteed to be free of defects for one (1) year from date of shipment. During this warranty period, DWS will repair or replace, at its option, free of charge, products or parts that are proven to be defective. This warranty does not apply to damages resulting from accident, abuse, alteration, tampering, misuse, mishandling, or negligence. Defective products will be replaced within the normal production time period required to reorder and manufacture the same product.

Transportation of fixtures in need of repair will be the responsibility of buyer. Handling of fixtures in transport will be the responsibility of buyer. DWS will not be held responsible for damages which occur during installation, or by transportation after the initial packing material is removed. DWS will not be responsible for any products subjected to inappropriate application or fixtures installed or modified in any way that is not in accordance with DWS instructions. Any modification of fixtures absolves DWS of any liability and voids warranty.

Care & Cleaning

David Weeks Studio products are crafted by hand at our studio in Brooklyn, NY. While we take the greatest care in the handling and manufacturing of our products, subtle variances and irregularities in finish and color are inherent in the production process and should not be considered as defects.

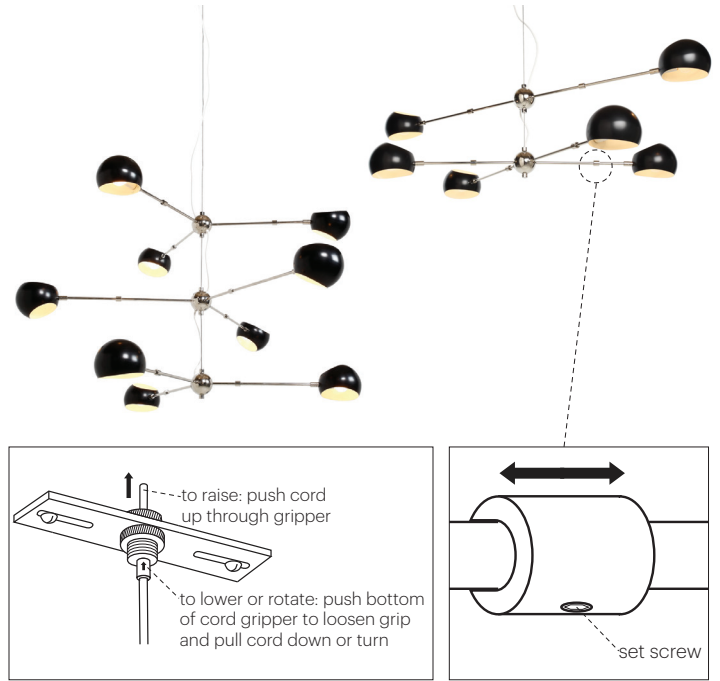
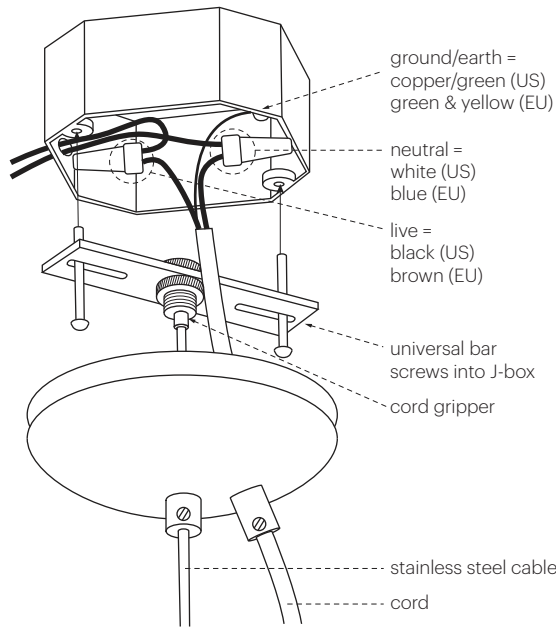
Many metal finishes are applied by hand and may vary in color, tone and character. While DWS will make every effort to match a finish, no guarantee can be made of an exact match. We do not guarantee finishes against fading and oxidizing. Regular polishing is recommended. Arms, hardware and shades can be cleaned with a mild, non-ammonia-based spray cleaner or soft cloth to remove fingerprints or dust. Check to ensure that chosen cleaner is safe for your particular finish; if unsure, we recommend testing a small hidden area for reaction.

Lamping

Please consult included directions to determine the type of bulb required. These fixtures are balanced with a specified bulb, and only one style of bulb is used with each fixture. Using an unspecified style of bulb, or mixing different types of bulbs, could inhibit fixture's ability to balance or function safely. It is imperative that suggested wattage is adhered to. Any damage caused to the fixture due to higher than recommended watt bulb, or due to non-recommended bulb, will void warranty.

Boi Suspension Fixtures

No 418 - 419



- All fixtures are built for standard 4" U.S. J-box.
- Two people are needed for installation.
- Fixture weights vary, depending on number of tiers and dimensions. Make sure location has adequate support; additional weight support recommended for junction box installation.
- Keep all wrapping on fixture except the portion that covers ceiling mount. DO NOT use razor blade to open; shades scratch easily.
- Turn off circuit breaker connected to junction box (J-box) where fixture is being installed.
- Using two 8-32 screws, hang fixture by attaching universal bar to J-box in ceiling. Adjust the height and orientation as needed by moving the cord in the cord grip (Fig. A) Connect each wire to corresponding wire: live to live, neutral to neutral, and ground to ground in J-box. Use wire nuts to secure wires, and wrap connection in electrical tape.
- Once fixture is attached securely, slide ceiling canopy up so it is flush with ceiling. Tighten set screws to hold canopy in place, then remove bubble wrap from the shades.
- The arms of the chandelier will not be balanced until all light bulbs are in place. Screw bulbs in lightly until they illuminate. Use the same model of bulb in all shades.
- Every effort has been made to keep all tiers correctly oriented; however, arms may shift in shipping. If any tiers are not level, you can adjust individual arms by sliding counterweights back and forth (Fig. B). Each weight has a set screw to hold it in place: to move weight, loosen the set screw with 3/32" allen wrench. If you move one counterweight, you may need to loosen and adjust others on the same tier to get fixture completely level.
- Adjust shades to your needs. When adjusting shades, do not attempt to force swivels past natural stopping point.

Care Instructions

- Arms, hardware and shades can be cleaned with any mild spray cleaner or soft cloth to remove fingerprints or dust.

Important!

- Before installation ensure power supply is disconnected at fuse box.
- Fixtures are designed for normal climate conditions.
- Lighting is for use in dry locations and indoor environments.
- This lamp must be installed in accordance with the applicable installation code by a person familiar with the construction and operation of the product and the hazards involved.

Electrical Wires

- Live = Black (US) Brown (EU)
- Neutral = White (US) Blue (EU)
- Ground/Earth = Copper/Green (US) Green & Yellow Striped (EU)

Lamping

- 120V: G16.5 globe bulb 60W max
- 220-240V: E14 base 60W max

Tools

- Allen Wrench - 3/32"

