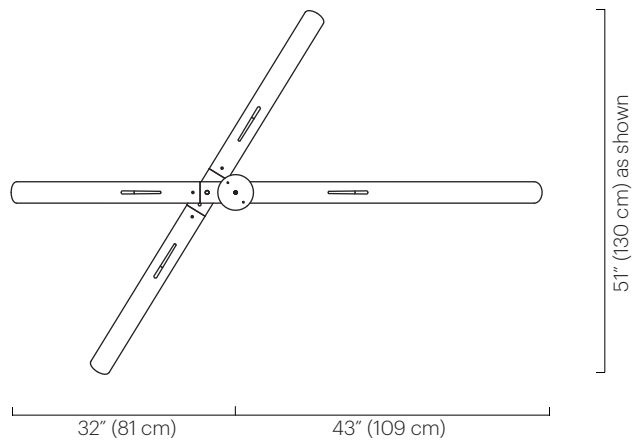
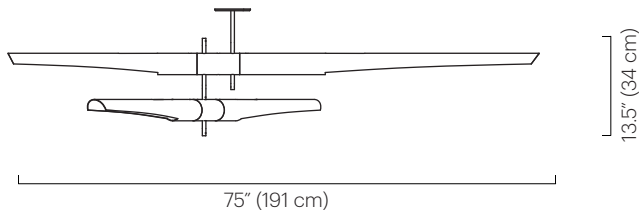


No. 430



Description

The Hennen Mobile is a balanced fixture comprised of two offset tiers with a total of three short and one long shade that can be set to cast light up or down. Tiers scissor open when installed and arrangement is adjustable on site.

Materials

Shades: Powder coated aluminum
 Frame: Plated steel & aluminum
 Ceiling mount: Powder coated steel
 Drop: Plated steel

Shade Color

○ White Gloss (white gloss interior)

Finish

● Polished Nickel

Lamping

120V: (4)T10 incandescent tubular medium base 60W max
 Note: Bulbs not included.
 Halogen bulbs not recommended.

Wattage

240 watts max

Weight

15 lbs (6.8 kg)

Remarks

Ceiling mount consistent with shade color.
 Additional weight support recommended for junction box installation.
 Indoor use and dry locations only.

Dimensions

Upper tier: 75" (191 cm)
 Lower tier: 59" (150 cm)
 Ceiling mount diameter: 5" (13 cm)
 Minimum overall height: 14.5" (37 cm)
 Long shade: 3" Ø x 42" L (8 Ø x 107 cm L)
 Short shade: 3" Ø x 26.5" L (8 Ø x 67 cm L)