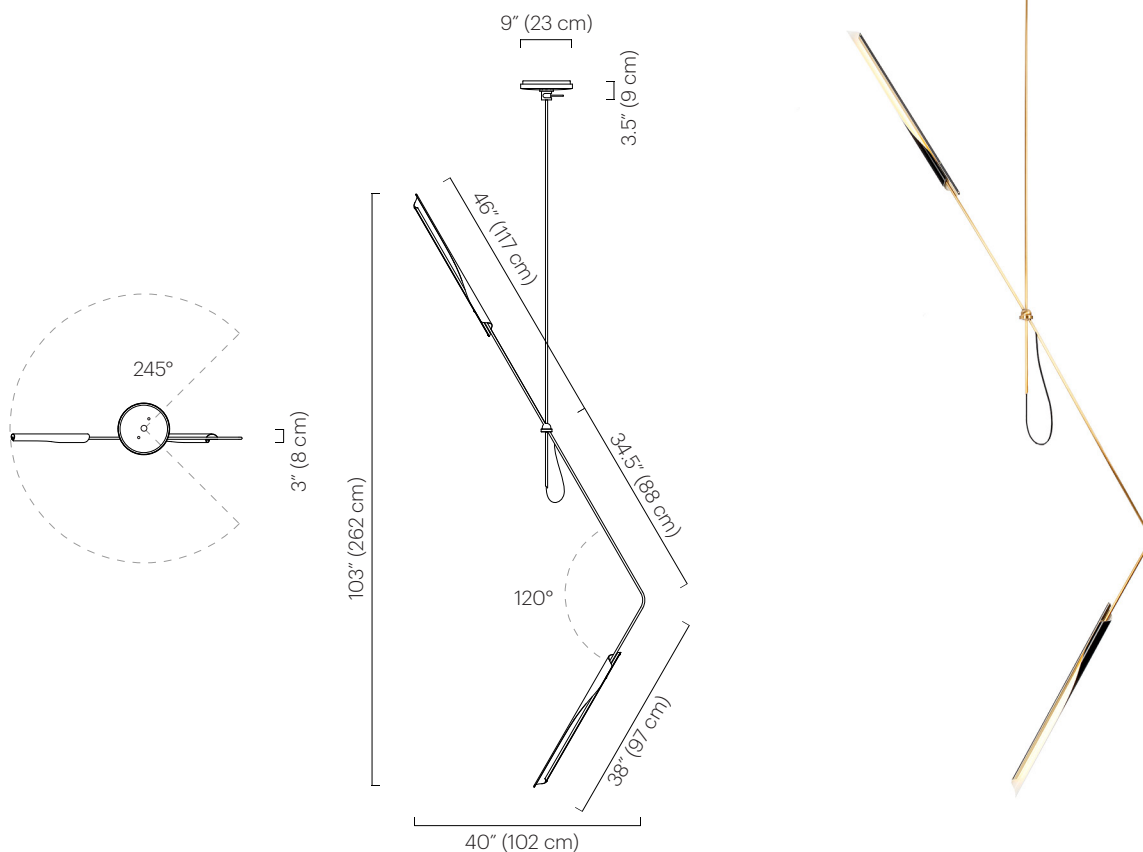


No. 446



**Description**

The OTTO L features one bent arm with an OTTO shade on each end. The OTTO shade contains a dimmable LED source and rotates 300° to cast light directionally. The fixture can rotate 245° from the canopy. Fixture is balanced by design; angle is not adjustable.

**Materials**

Shade: Powder coated aluminum  
 Ceiling mount: Powder coated and plated aluminum  
 Frame: Plated brass  
 Drop: Plated brass  
 Hardware: Plated and polished brass

**Shade Color**

- Black Satin (ivory satin interior)
- Grey Gloss (ivory satin interior)
- Ivory Satin (ivory satin interior)
- White Satin (white satin interior)

Custom colors available.

**Finish**

- Brushed Brass
- Polished Nickel

Custom finishes available.

**Lamping**

LED: Warm white 2700K  
 Lumens: 1680 (equivalent to two 60W incandescent bulbs)  
 CRI: 80+  
 50,000 LED life hours (approx.)

**Power Supply**

60W 24V  
 For 120V areas: dimmable Class 2 included in canopy.  
 For 220-240V areas: remote power supply only. Not included.

**Dimmer Compatibility**

Dimmable with MLV/TRIAC (leading edge) switch

**Voltage / Wattage**

24V / 22 watts

**Weight**

5 lbs (2.3 kg)

**Remarks**

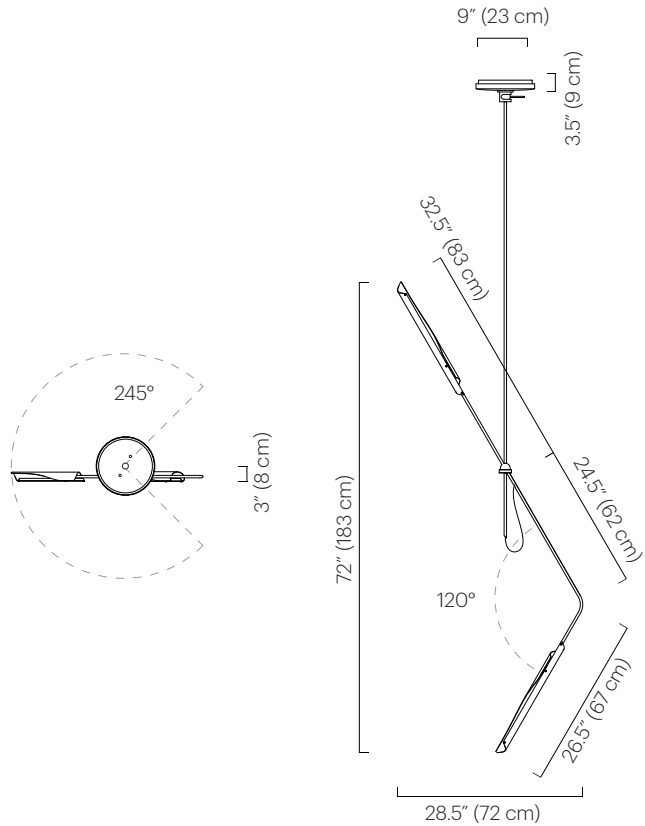
Specify drop length. Fixed drop not adjustable on site. Arm length is fixed. Not for use on sloped ceilings. Black exterior electrical cord is standard. Hardware finish consistent with frame finish. Ceiling mount consistent with shade color. Additional weight support recommended for junction box installation. Indoor use and dry locations only.

**Dimensions**

3" D x 40" W x 103" H  
 (8 D x 102 W x 262 cm H)  
 Canopy mount: 9" Ø x 3.5" H  
 (23 Ø x 9 cm H)  
 Shades: 1.5" Ø x 28" L  
 (4 Ø x 71 cm L)  
 Min overall height: 109"  
 (277 cm)



No. 446



**Description**

The OTTO LS features one bent arm with an OTTO shade on each end. The OTTO shades contain a dimmable LED source and rotate 300° to cast light directionally. The fixture can rotate 245° from the canopy. Fixture is balanced by design; angle is not adjustable.

**Materials**

Shade: Powder coated aluminum  
 Ceiling mount: Powder coated and plated aluminum  
 Frame: Plated brass  
 Drop: Plated brass  
 Hardware: Plated and polished brass

**Shade Color**

- Black Satin (ivory satin interior)
- Grey Gloss (ivory satin interior)
- Ivory Satin (ivory satin interior)
- White Satin (white satin interior)

Custom colors available.

**Finish**

- Brushed Brass
- Polished Nickel

Custom finishes available.

**Lamping**

LED: Warm white 2700K  
 Lumens: 1000 (equivalent to two 40W incandescent bulbs)  
 CRI: 80+  
 50,000 LED life hours (approx.)

**Power Supply**

60W 24V  
 For 120V areas: dimmable Class 2 included in canopy.  
 For 220-240V areas: remote power supply only. Not included.

**Dimmer Compatibility**

Dimmable with MLV/TRIAC (leading edge) switch

**Voltage / Wattage**

24V / 22 watts

**Weight**

5 lbs (2.3 kg)

**Remarks**

Specify drop length. Fixed drop not adjustable on site. Arm length is fixed. Not for use on sloped ceilings. Black exterior electrical cord is standard. Hardware finish consistent with frame finish. Ceiling mount consistent with shade color. Additional weight support recommended for junction box installation. Indoor use and dry locations only.

**Dimensions**

3" D x 28.5" W x 72" H  
 (8 D x 72 W x 183 cm H)  
 Canopy mount: 9" Ø x 3.5" H  
 (23 Ø x 9 cm H)  
 Shades: 1.5" Ø x 20" L  
 (4 Ø x 51 cm L)  
 Min overall height: 78"  
 (198 cm)

