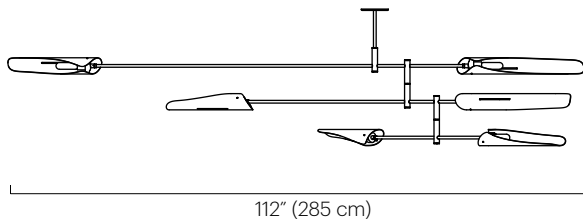
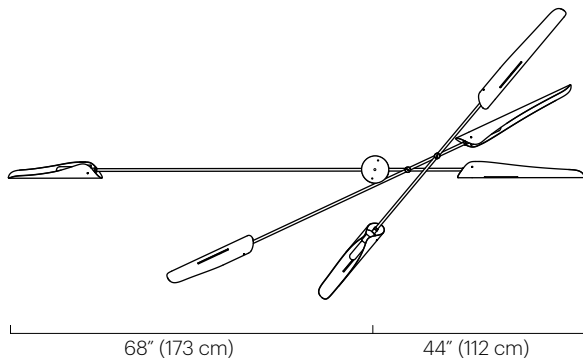


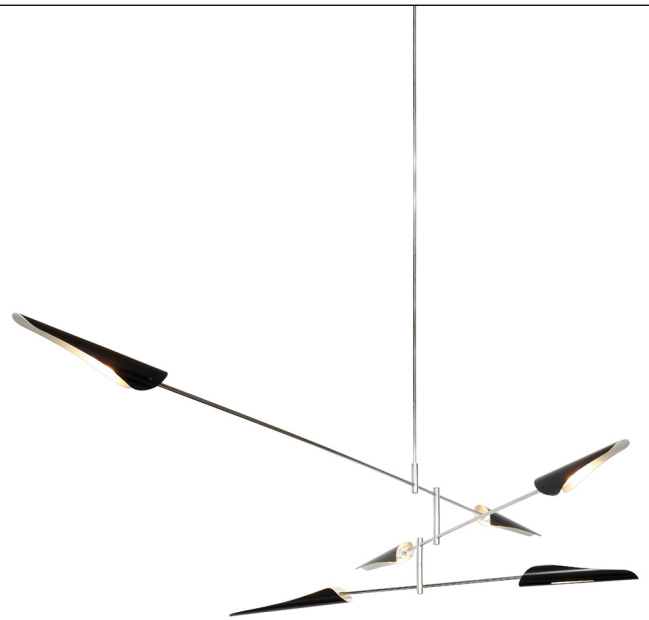
No. 428



18" (46 cm) as shown



53.5" (136 cm) as shown



**Description**

The Sarus Mobile is a carefully balanced fixture, featuring three tiers of differing lengths. Each tier has one large and one small Sarus shade. Tiers scissor open when installed; arrangement is adjustable on site. Shades swivel 320° to cast light directionally.

**Materials**

Shades: Powder coated aluminum  
 Frame: Plated steel  
 Ceiling mount: Powder coated steel  
 Drop: Plated steel

**Shade Color**

- Black Satin (ivory satin interior)
- Ivory Satin (ivory satin interior)

**Finish**

- Polished Nickel
- Brushed Brass

**Lamping**

120V; (6)T10 tubular incandescent medium base 60W max  
 Note: Bulbs not included. Halogen bulbs not recommended.

**Wattage**

360 watts max

**Weight**

25 lbs (11.3 kg)

**Remarks**

Each tier has two shades. Ceiling mount consistent with shade color. Additional weight support recommended for junction box installation. Indoor use and dry locations only.

**Dimensions**

Tier 1: 112" (285 cm)  
 Tier 2: 82" (208 cm)  
 Tier 3: 69" (175 cm)  
 Ceiling mount diameter: 5" (13 cm)  
 Minimum overall height: 19" (48 cm)  
 Large Shade: 23" L x 3" Ø (58 L x 8 Ø cm)  
 Small Shade: 18" L x 3" Ø (46 L x 8 Ø cm)

