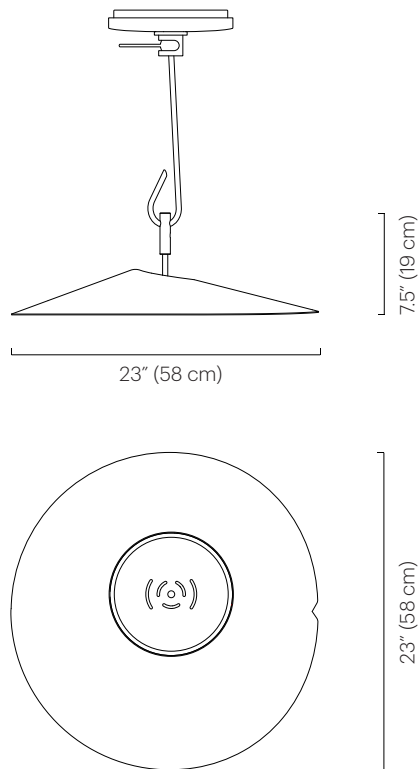


Treble Pendant

TECHNICAL SPECIFICATIONS

No. 453



Description

The Treble Pendant has one Treble shade constructed from a flat cut aluminum pattern held together in tension, illuminated by a dimmable LED with a glass diffuser. The fixture can rotate 245° from the canopy.

Materials

Shade: Anodized or powder coated aluminum
Ceiling mount: Powder coated aluminum and steel.
Frame: Plated brass
Drop: Plated brass
Lamp enclosure: Glass, aluminum, steel and plated brass.

Shade Color

Powder coated:

- Black Satin (ivory satin interior)
- Grey Gloss (ivory satin interior)
- Ivory Satin (ivory satin interior)
- White Satin (white satin interior)

Custom colors available.

Anodized:

- Polished Black (matte gold interior)
- Polished Black (red ombre interior)

Finish

- Brushed Brass
- Polished Nickel

Custom finishes available.

Lamping

LED: Warm white 2700K
Lumens: 1200 (equivalent to one 75W incandescent bulb)
CRI: 95+
50,000 LED life hours (approx.)

Power Supply

For 120V areas: 60W 24V dimmable Class 2 included in canopy.
For 220-240V areas: remote power supply only. Not included.

Dimmer Compatibility

ELV Dimmer compatible

Voltage / Wattage

24V /12W

Weight

10 lbs (4.5 kg)

Remarks

Specify drop length.
Fixed drop not adjustable on site.
Shade does not rotate.
Not for use on sloped ceilings.
Black exterior electrical cord is standard.
Hardware finish consistent with frame finish.
Ceiling mount consistent with shade color.
Additional weight support recommended for junction box installation.
Indoor use and dry locations only.

Dimensions

23" L x 23" W x 7.5" H
(58 L x 58 W x 19 cm H)
Canopy mount: 9" Ø x 3.5" H
(23 Ø x 9 cm H)
Shade: 23" Ø x 4" H
(58 Ø x 10 cm H)
Min. overall height: 16" (41 cm)



**David
Weeks
Studio**

STOREFRONT
38 Walker Street
New York, NY 10013
212 966 3433

sales@DavidWeeksStudio.com
www.DavidWeeksStudio.com