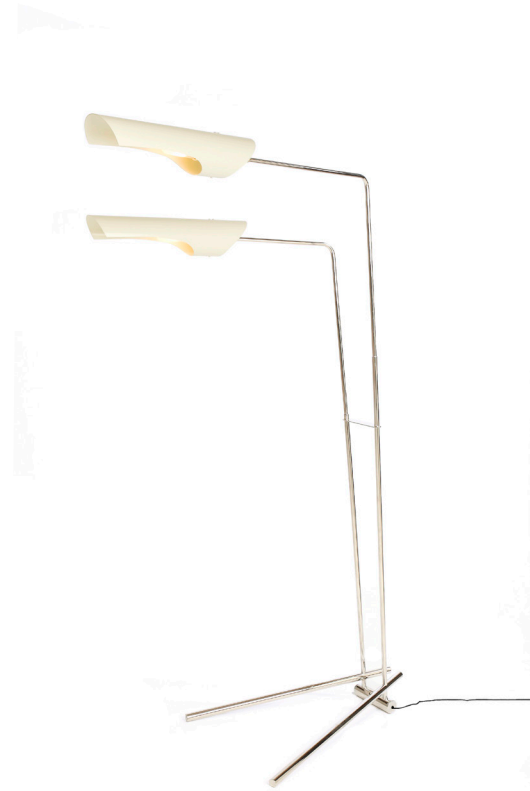
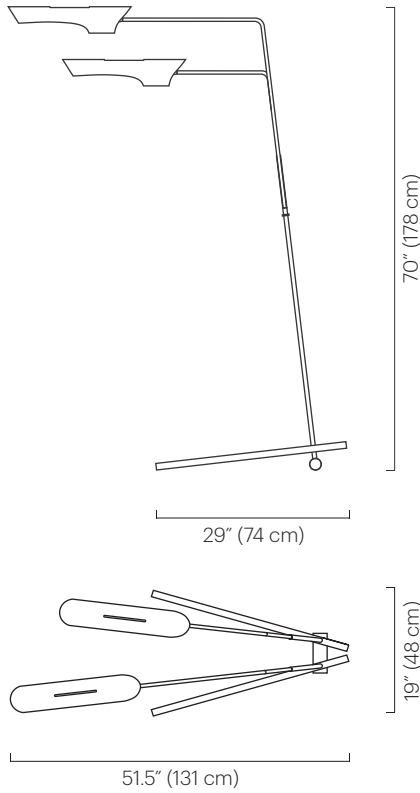


# Torroja Standing Lamp

TECHNICAL SPECIFICATIONS

No. 309



## Description

The Torroja Standing Lamp features a plated steel frame with two arms that extend over the base. Powder coated aluminum shades rotate 320° to cast light directionally.

## Materials

Shades: Powder coated aluminum  
Frame: Plated steel

## Shade Color

- Black Satin (ivory satin interior)
- Ivory Satin (ivory satin interior)
- White Satin (white satin interior)

Custom colors available.

## Finish

- Polished Nickel

## Lamping

120V: (2)T10 tubular incandescent bulbs medium base 40W max  
220-240V: (2)E27 base (tubular 32mm suggested) 40W max  
Note: Bulbs not included.  
Halogen bulbs not recommended.

## Wattage

80 watts max

## Weight

30 lbs (13.6 kg)

## Remarks

UL listed.  
Dimmer switch located on cord.  
Arm height is not adjustable.  
Cord color is black; length approx. 10 feet.  
Indoor use and dry locations only.

## Dimensions

Base: 19" W x 29" D  
(48 W x 74 cm D)  
70" H x 51.5" D  
(178 H x 131 cm D)  
Shade: 4" Ø x 18.5" L  
(10 Ø x 47 cm L)

**David  
Weeks  
Studio**



**STOREFRONT**  
38 Walker Street  
New York, NY 10013  
212 966 3433

sales@DavidWeeksStudio.com  
www.DavidWeeksStudio.com