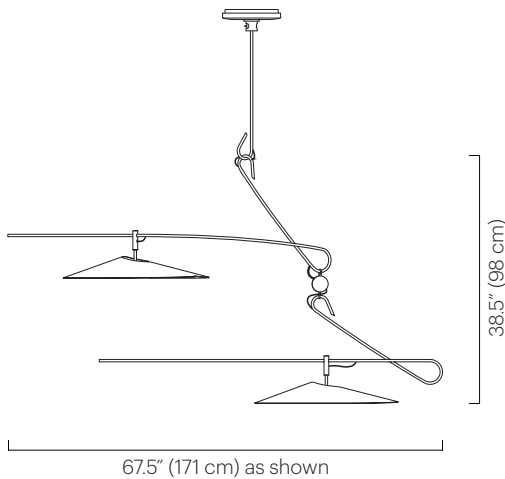
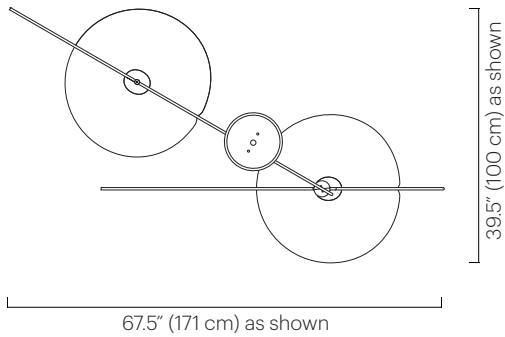


Treble Mobile - 2 Tier

TECHNICAL SPECIFICATIONS

No. 452



Description

The Treble Mobile features two tiers of different lengths that balance on asymmetrical axes, which allows gentle movement. Each tier has one Treble shade constructed from a flat cut aluminum pattern held together in tension, illuminated by a dimmable LED with a glass diffuser. The fixture can rotate 245° from the canopy. Tier rotation is adjustable and can be set on site.

Materials

Shade: Anodized or powdercoated aluminum
 Ceiling mount: Powder coated aluminum and steel.
 Frame: Plated brass
 Drop: Plated brass
 Lamp enclosure: Glass, aluminum, steel and plated brass.

Shade Color

Powdercoated:
 ● Black Satin (ivory satin interior)
 ● Grey Gloss (ivory satin interior)
 ● Ivory Satin (ivory satin interior)
 ○ White Satin (white satin interior)

Custom colors available.

Anodized:

● Polished Black (matte gold interior)
 ● Polished Black (red ombre interior)

Finish

● Brushed Brass
 ● Polished Nickel

Custom finishes available.

Lamping

LED: Warm white 2700K
 Lumens: 2400 (equivalent to two 75W incandescent bulbs)
 CRI: 95+
 50,000 LED life hours (approx.)

Power Supply

For 120V areas:
 included in canopy.
 For 220-240V areas: remote power supply only. Not included.

Dimmer Compatibility

ELV Dimmer compatible

Voltage / Wattage

24V / 23W

Weight

15 lbs (6.8 kg)

Remarks

Specify drop length.
 Fixed drop not adjustable on site.
 Arm length is fixed.
 Shade does not rotate.
 Not for use on sloped ceilings.
 Black exterior electrical cord is standard.
 Hardware finish consistent with frame finish.
 Ceiling mount consistent with shade color.
 Additional weight support recommended for junction box installation.
 Indoor use and dry locations only.

Dimensions

Tier 1: 52.5" (133 cm)
 Tier 2: 57" (145 cm)
 Canopy mount: 9" Ø x 3.5" H
 (23 Ø x 9 cm H)
 Shade: 23" Ø x 4" H
 (58 Ø x 10 cm H)
 Min. overall height: 46.5" (118 cm)
 Max. dimensions: 90" L x 23" W
 (229 L x 58 cm W)



**David
 Weeks
 Studio**

STOREFRONT

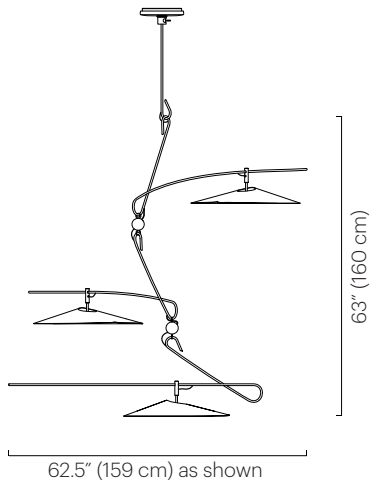
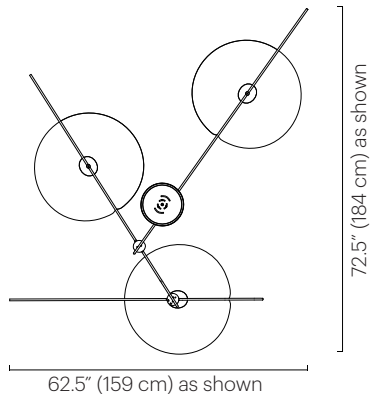
38 Walker Street
 New York, NY 10013
 212 966 3433

sales@DavidWeeksStudio.com
 www.DavidWeeksStudio.com

Treble Mobile - 3 Tier

TECHNICAL SPECIFICATIONS

No. 452



Description

The Treble Mobile features three tiers of different lengths that balance on asymmetrical axes, which allows gentle movement. Each tier has one Treble shade constructed from a flat cut aluminum pattern held together in tension, illuminated by a dimmable LED with a glass diffuser. The fixture can rotate 245° from the canopy. Tier rotation is adjustable and can be set on site.

Materials

Shade: Anodized or powdercoated aluminum
 Ceiling mount: Powder coated aluminum and steel.
 Frame: Plated brass
 Drop: Plated brass
 Lamp enclosure: Glass, aluminum, steel and plated brass.

Shade Color

Powdercoated:

- Black Satin (ivory satin interior)
- Grey Gloss (ivory satin interior)
- Ivory Satin (ivory satin interior)
- White Satin (white satin interior)

Custom colors available.

Anodized:

- Polished Black (matte gold interior)
- Polished Black (red ombre interior)

Finish

- Brushed Brass
- Polished Nickel

Custom finishes available.

Lamping

LED: Warm white 2700K
 Lumens: 3600 (equivalent to three 75W incandescent bulbs)
 CRI: 95+
 50,000 LED life hours (approx.)

Power Supply

For 120V areas:
 included in canopy.
 For 220-240V areas: remote power supply only. Not included.

Dimmer Compatibility

ELV Dimmer compatible

Voltage / Wattage

24V / 35W

Weight

25 lbs (11.3) kg

Remarks

Specify drop length.
 Fixed drop not adjustable on site
 Arm length is fixed.

Remarks continued

Shade does not rotate.
 Not for use on sloped ceilings.
 Black exterior electrical cord is standard.
 Hardware finish consistent with frame finish.
 Ceiling mount consistent with shade color.
 Additional weight support recommended for junction box installation.
 Indoor use and dry locations only.

Dimensions

Tier 1: 52.5" (133 cm)
 Tier 2: 57" (145 cm)
 Tier 3: 63" (160 cm)
 Canopy mount: 9" Ø x 3.5" H
 (23 Ø x 9 cm H)
 Shade: 23" Ø x 4" H
 (58 Ø x 10 cm H)
 Min. overall height: 71" (180 cm)
 Max. dimensions: 108.5" L x 23" W
 (267 L x 58 cm W)

**David
 Weeks
 Studio**



STOREFRONT

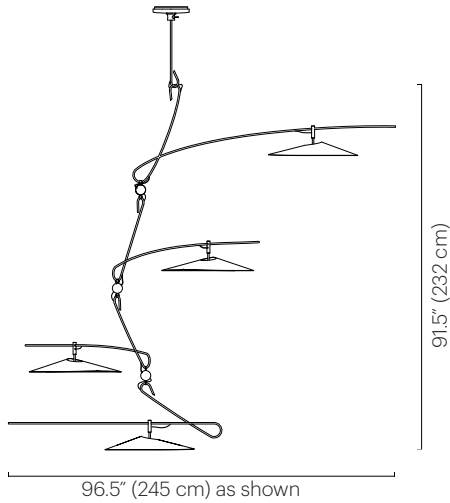
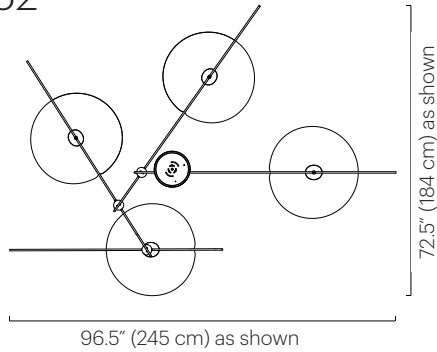
38 Walker Street
 New York, NY 10013
 212 966 3433

sales@DavidWeeksStudio.com
 www.DavidWeeksStudio.com

Treble Mobile - 4 Tier

TECHNICAL SPECIFICATIONS

No. 452



Description

The Treble Mobile features four tiers of different lengths that balance on asymmetrical axes, which allows gentle movement. Each tier has one Treble shade constructed from a flat cut aluminum pattern held together in tension, illuminated by a dimmable LED with a glass diffuser. The fixture can rotate 245° from the canopy. Tier rotation is adjustable and can be set on site.

Materials

Shade: Anodized or powdercoated aluminum
 Ceiling mount: Powder coated aluminum and steel.
 Frame: Plated brass
 Drop: Plated brass
 Lamp enclosure: Glass, aluminum, steel and plated brass.

Shade Color

Powdercoated:

- Black Satin (ivory satin interior)
- Grey Gloss (ivory satin interior)
- Ivory Satin (ivory satin interior)
- White Satin (white satin interior)

Custom colors available.

Anodized:

- Polished Black (matte gold interior)
- Polished Black (red ombre interior)

Finish

- Brushed Brass
- Polished Nickel

Custom finishes available.

Lamping

LED: Warm white 2700K
 Lumens: 4800 (equivalent to four 75W incandescent bulbs)
 CRI: 95+
 50,000 LED life hours (approx.)

Power Supply

For 120V areas:
 included in canopy.
 For 220-240V areas: remote power supply only. Not included.

Dimmer Compatibility

ELV Dimmer compatible

Voltage / Wattage

24V / 46 W

Weight

30 lbs (13.6 kg)

Remarks

Specify drop length.
 Fixed drop not adjustable on site.
 Arm length is fixed.

Remarks continued

Shade does not rotate.
 Not for use on sloped ceilings.
 Black exterior electrical cord is standard.
 Hardware finish consistent with frame finish.
 Ceiling mount consistent with shade color.
 Additional weight support recommended for junction box installation.
 Indoor use and dry locations only.

Dimensions

Tier 1: 52.5" (133 cm)
 Tier 2: 57" (145 cm)
 Tier 3: 63" (160 cm)
 Tier 4: 65" (165 cm)
 Canopy mount: 9" Ø x 3.5" H
 (23 Ø x 9 cm H)
 Shade: 23" Ø x 4" H
 (58 Ø x 10 cm H)
 Min. overall height: 99.5" (253 cm)
 Max. dimension: 122" L x 23" W
 (310 L x 58 cm W)



David Weeks Studio

STOREFRONT

38 Walker Street
 New York, NY 10013
 212 966 3433

sales@DavidWeeksStudio.com
 www.DavidWeeksStudio.com