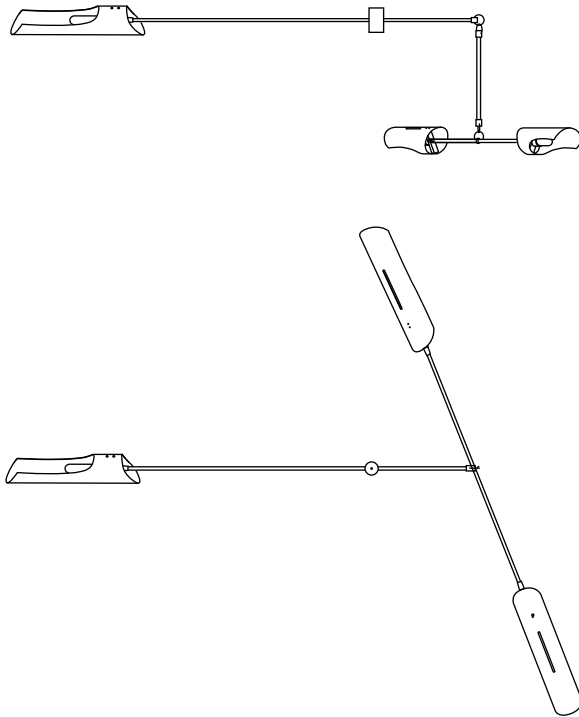


No. 429



Single tier shown above



Shown above with three tiers

Description

The Torroja Mobile is a totally customizable fixture. The quantity and size of the tiers can be specified for site conditions. Each tier is comprised of three segments, with three shades that balance on an asymmetrical axis that allows gentle movement. Torroja shades rotate 320° to cast light directionally.

Materials

Shades: Powder coated aluminum
 Ceiling mount: Powder coated steel
 Frame: Plated steel
 Hub: Plated aluminum (for nickel finish) or brass (for brass finish)
 Drop: Stainless steel cable

Shade Color

- Black Satin (ivory satin interior)
- Ivory Satin (ivory satin interior)
- White Satin (white satin interior)

Custom colors available.

Finish

- Polished Nickel
- Brushed Brass

Custom finishes available.

Lamping (Three shades per tier)

120V: (3)T10 tubular incandescent medium base 60W max
 220-240V: (3)E27 base (tubular 32mm suggested) 60W max
 Note: Bulbs not included.
 Halogen bulbs not recommended.

IMPORTANT: Identical bulbs must be used in each socket in order for fixture to properly balance.

Wattage

180 watts max per tier

Weight

Weight varies; depending on number of tiers and dimensions.
 Each tier: approx. 8-10 lbs (3.6-4.5 kg)

Remarks

Specify drop length.
 Approx. 6" of extra cable and cord included.
 Specify number of tiers.
 Two tier minimum (six shades).
 Each tier has three shades.
 Specify tier diameter.
 Ceiling mount consistent with shade color.
 White electrical cord is standard.
 Additional weight support recommended for junction box installation.
 Indoor use and dry locations only.

Dimensions

Fixture custom made based on client specifications.
 Minimum diameter: 60" (152 cm)
 Maximum diameter: 120" (305 cm)
 Ceiling mount diameter: 5" (13 cm)
 Minimum overall height:
 Two tiers: 24" (61 cm)
 Three tiers: 31" (79 cm)
 Shade: 4" Ø x 18.5" L
 (10 Ø x 47 cm L)

