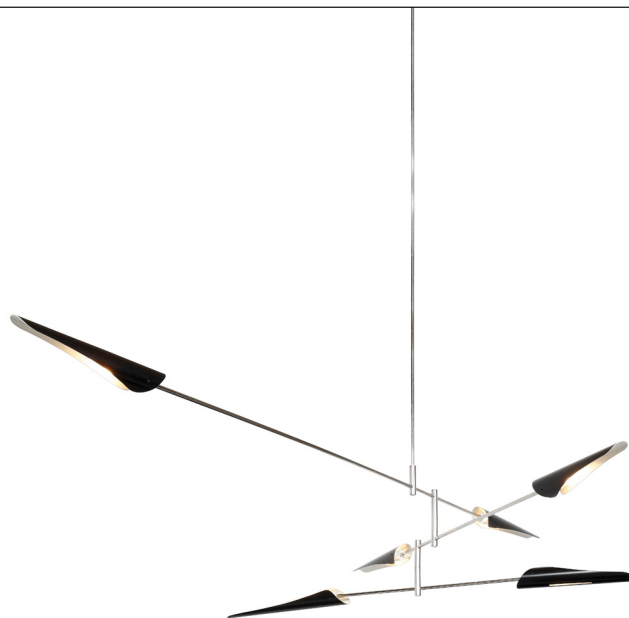
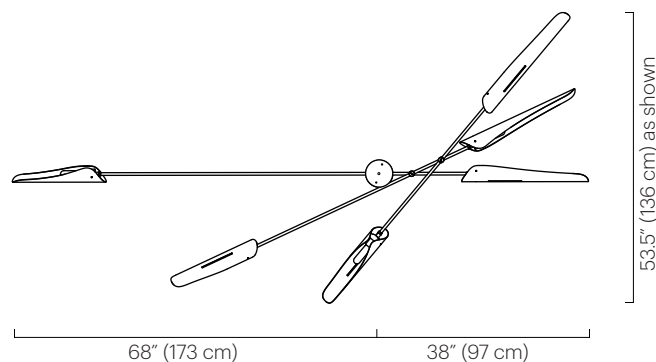
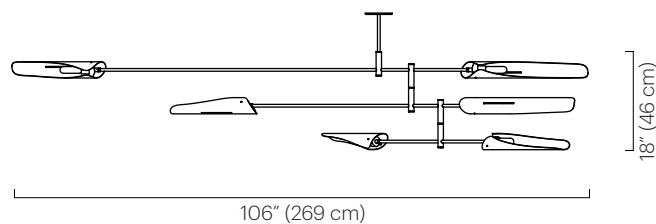


Sarus Mobile, 3 Tier

TECHNICAL SPECIFICATIONS

No. 428



Description

The Sarus Mobile is a carefully balanced fixture, featuring three tiers of differing lengths. Each tier has one large and one small Sarus shade. Tiers scissor open when installed; arrangement is adjustable on site. Shades swivel 320° to cast light directionally.

Materials

Shades: Powder coated aluminum
 Frame: Plated steel
 Ceiling mount: Powder coated steel
 Drop: Plated steel

Shade Color

- Black Satin (ivory satin interior)
- Grey Gloss (ivory satin interior)
- Ivory Satin (ivory satin interior)
- White Satin (white satin interior)

Custom colors available.

Finish

- Polished Nickel
- Brushed Brass

Custom finishes available.

Lamping

120V: (6)T10 tubular incandescent medium base 60W max
 220-240-V: (6)E27 base (tubular 32mm suggested) 60W max
 Note: Bulbs not included. Halogen bulbs not recommended.

Wattage

360 watts max

Weight

25 lbs (11.3 kg)

Remarks

Specify drop length.
 Fixed drop not adjustable on site.
 Tier lengths cannot be customized.
 Due to the length of tiers, a natural arc occurs on the longest tier.

Remarks continued

Each tier has two shades.
 Ceiling mount consistent with shade color.
 Additional weight support recommended for junction box installation.
 Indoor use and dry locations only.

Dimensions

Tier 1: 106" (269 cm)
 Tier 2: 82" (208 cm)
 Tier 3: 69" (175 cm)
 Ceiling mount diameter: 5" (13 cm)
 Minimum overall height: 19" (48 cm)
 Large Shade: 23" L x 3" Ø (58 L x 8 Ø cm)
 Small Shade: 18" L x 3" Ø (46 L x 8 Ø cm)



David Weeks Studio

STOREFRONT
 38 Walker Street
 New York, NY 10013
 212 966 3433

sales@DavidWeeksStudio.com
 www.DavidWeeksStudio.com