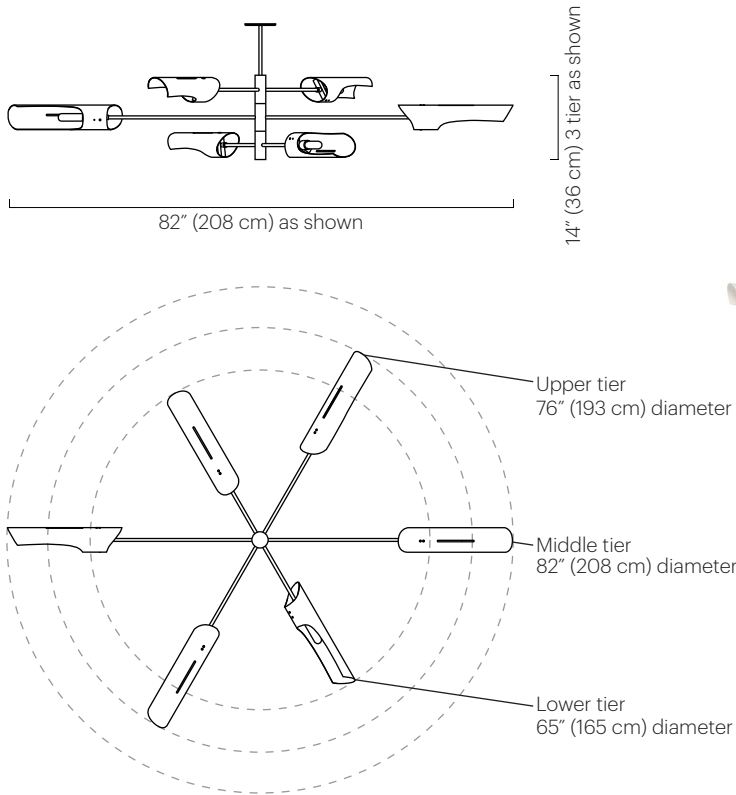


No. 425



Shown above with three tiers

Description

The Torroja Cross features a plated frame customizable by the number and length of the tiers. Each tier consists of two shades. Tiers scissor open and are adjustable on site. Shades rotate 320° to cast light directionally.

Materials

Shades: Powder coated aluminum
 Frame: Plated steel
 Ceiling mount: Powder coated steel
 Drop: Plated steel

Shade Color

- Black Satin (ivory satin interior)
- Ivory Satin (ivory satin interior)

Finish

- Polished Nickel
- Brushed Brass

Lamping (Two shades per tier)

120V: (2)T10 tubular incandescent medium base 60W max
 Note: Bulbs not included.
 Halogen bulbs not recommended.

Wattage

360 watts max

Weight

3-tier fixture: approx. 18 lbs (8 kg)

Remarks

Each tier has two shades.
 Ceiling mount consistent with shade color.

Remarks continued

Additional weight support recommended for junction box installation.
 Indoor use and dry locations only.

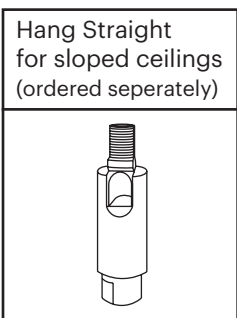
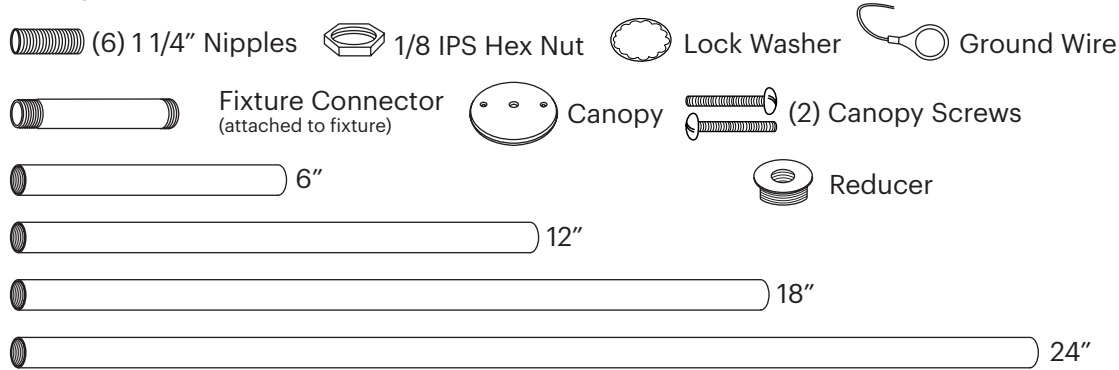
Dimensions

Upper Tier: 76" (193 cm)
 Middle Tier: 82" (208 cm)
 Lower Tier: 65" (165 cm)
 Shade: 4" Ø x 18.5" L (10 Ø x 47 cm L)
 Ceiling mount diameter: 5" (13 cm)
 Minimum overall height:
 Three tiers: 16" (41 cm)



Drop Kit

PARTS



INSTRUCTIONS

Optional Parts:

Reducer: If replacing a drop on an **existing fixture** you may need to use the included reducer for the drop kit to fit the fixture's canopy. If the hole in the canopy is too large for the nipple attach the reducer as shown in the **Figure B**. The shoulder of the reducer should be on the top of the canopy.

Hang Straight: For **sloped ceilings** a 2" hang straight may be ordered. Screw the hang straight into the canopy followed by the nipple and drop as shown in **Figure B**.

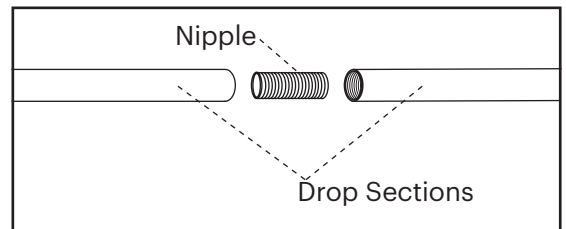


Figure A

1. Please read the specific fixture's installation instructions before assembling the drop kit or unwrapping the fixture. If using a drop kit as a replacement drop for an existing fixture attach the fixture connector to the top hub. Two people are required for installation.

2. The overall drop length is measured from the ceiling to the bottom of the fixture. To determine the best combination of drop lengths for your fixture and location refer to page 3.

3. Each section of tube will need to be connected with a nipple as in **Figure A**. **Determine the length of drop using the fixture specific information provided on page 3.** Each drop kit has a maximum of 5'2" from canopy to the top of the fixture - additional drop kits may be purchased. We recommend using the longest sections possible, with the longest section closest to the fixture.

4. Screw the drop sections and connectors together to finish assembly. **TIP:** Pull the wire through each section as you assemble. After you are sure of the length, we recommend using a drop of super glue or loctite on the threading of the nipples to help secure the connections.

5. Attaching the Canopy: Use reducer or hang straight if needed. Screw a nipple into the top of the last section of the drop and screw on the canopy. On the other side of the canopy, add a ground wire, lock washer and secure with a hex nut.

6. Follow the fixture specific installation instructions.

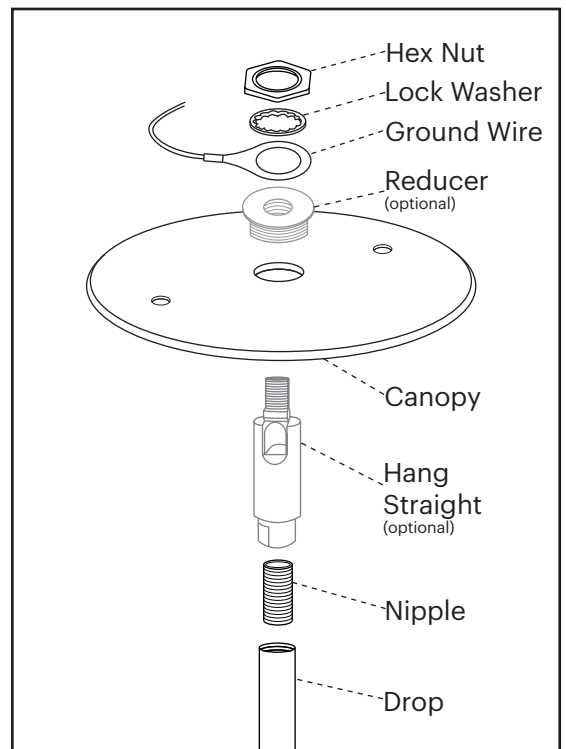


Figure B

DROP LENGTH FORMULA:

Ceiling Height - Fixture Height (14") - Height Above Floor = Drop Kit Length

*Hang Straight will add an additional 2"

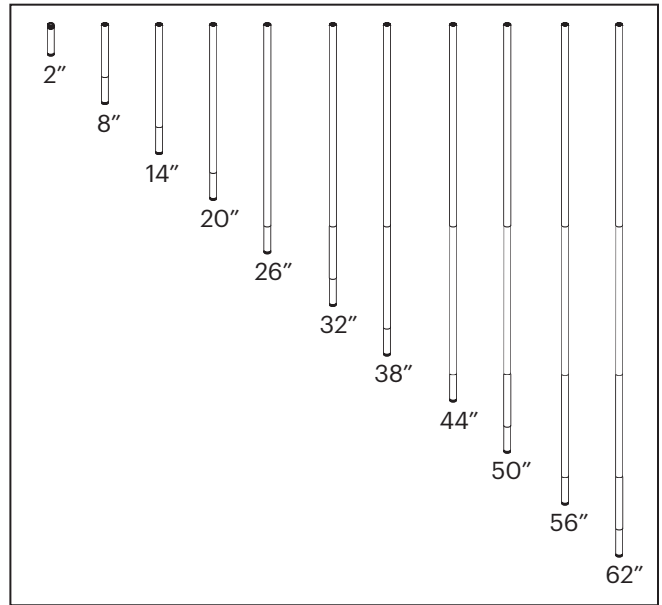
SUGGESTED HEIGHT ABOVE FLOOR:

In open room: 84" above floor.

Above a table: 76" above floor.

OVERALL DROP LENGTH COMBINATIONS

	<i>fixture</i>	<i>drop kit</i>
16" = 2" Fixture Connector (already attached)	14" + 2"	
22" = 6" + 2" Fixture Connector	14" + 8"	
28" = 12" + 2" Fixture Connector	14" + 14"	
34" = 18" + 2" Fixture Connector	14" + 20"	
40" = 24" + 2" Fixture Connector	14" + 26"	
46" = 6" + 24" + 2" Fixture Connector	14" + 32"	
52" = 12" + 24" + 2" Fixture Connector	14" + 38"	
58" = 18" + 24" + 2" Fixture Connector	14" + 44"	
64" = 6" + 18" + 24" + 2" Fixture Connector	14" + 50"	
70" = 12" + 18" + 24" + 2" Fixture Connector	14" + 56"	
76" = 6" + 12" + 18" + 24" + 2" Fixture Connector	14" + 62"	



EXAMPLES

