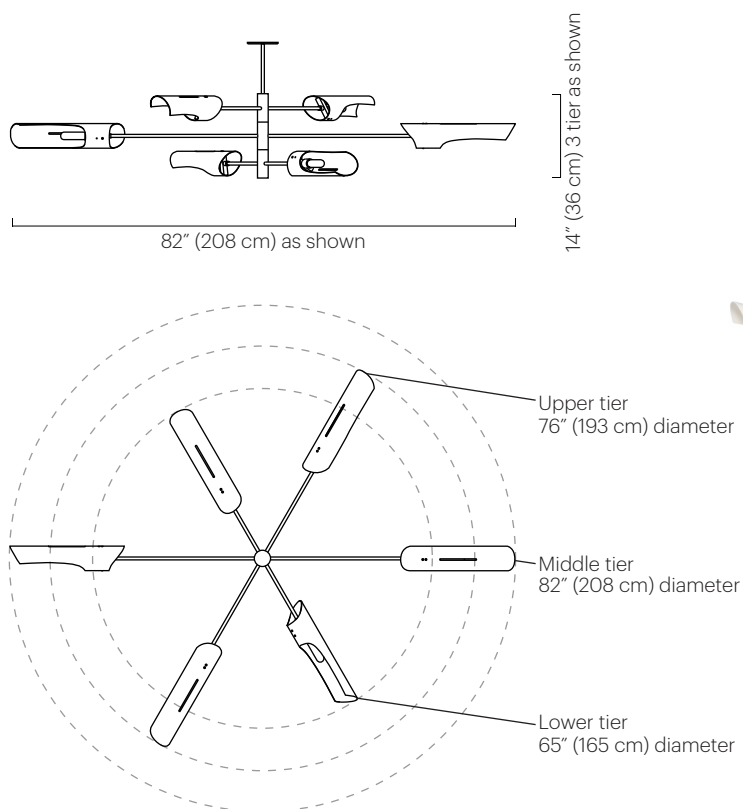


No. 425



Shown above with three tiers

Description

The Torroja Cross features a plated steel frame customizable by the number and length of the tiers. Each tier consists of two shades. Tiers scissor open and are adjustable on site. Shades rotate 320° to cast light directionally.

Materials

Shades: Powder coated aluminum
 Frame: Plated steel
 Ceiling mount: Powder coated steel
 Drop: Plated steel

Shade Color

- Black Satin (ivory satin interior)
- Ivory Satin (ivory satin interior)

Finish

- Polished Nickel
- Brushed Brass

Lamping (Two shades per tier)

120V: (2)T10 tubular incandescent medium base 60W max
 Note: Bulbs not included.
 Halogen bulbs not recommended.

Wattage

120 watts max per tier

Weight

Weight varies; depending on number of tiers and dimensions.
 3-tier fixture: approx. 18 lbs (8 kg)

Remarks

Each tier has two shades. Ceiling mount consistent with shade color. Additional weight support recommended for junction box installation. Indoor use and dry locations only.

Dimensions

Standard tier diameters:
 52" / 65" / 76" / 82"
 (132 cm / 165 cm / 193 cm / 208 cm)
 Shade: 4" Ø x 18.5" L
 (10 Ø x 47 cm L)
 Ceiling mount diameter: 5" (13 cm)
 Minimum overall height:
 Three tiers: 15.5" (39 cm)

