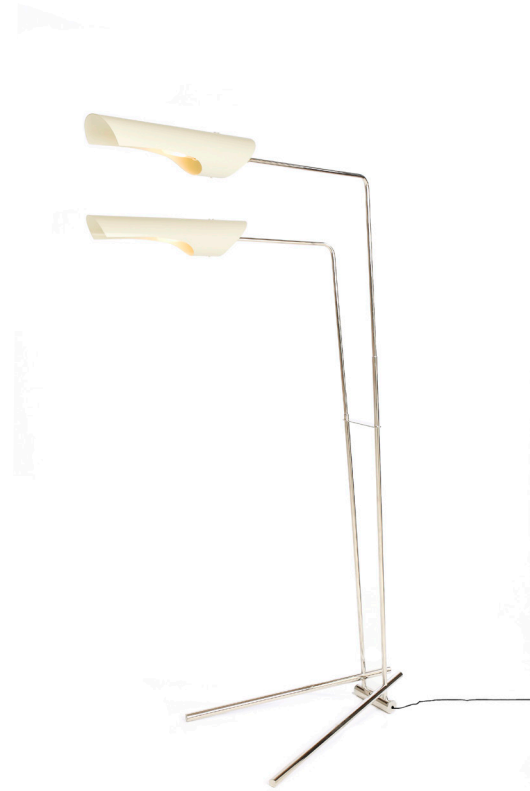
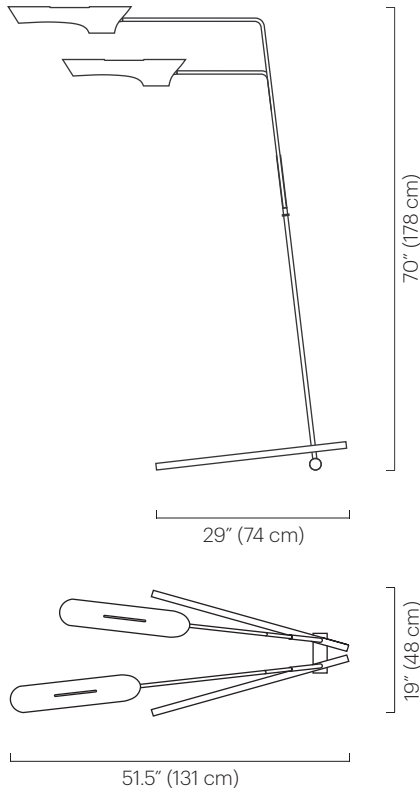


Torroja Standing Lamp

TECHNICAL SPECIFICATIONS

No. 309



Description

The Torroja Standing Lamp features a plated steel frame with two arms that extend over the base. Powder coated aluminum shades rotate 320° to cast light directionally.

Materials

Shades: Powder coated aluminum
Frame: Plated steel

Shade Color

- Black Satin (ivory satin interior)
- Ivory Satin (ivory satin interior)
- White Satin (white satin interior)

Custom colors available.

Finish

- Polished Nickel

Lamping

120V: (2)T10 tubular incandescent bulbs medium base 60W max
220-240V: (2)E27 base (tubular 32mm suggested) 60W max
Note: Bulbs not included.
Halogen bulbs not recommended.

Wattage

120 watts max

Weight

30 lbs (13.6 kg)

Remarks

Available to be wired UL.
Dimmer switch located on cord.
Arm height is not adjustable.
Cord color is black; length approx. 10 feet.
Indoor use and dry locations only.

Dimensions

Base: 19" W x 29" D
(48 W x 74 cm D)
70" H x 51.5" D
(178 H x 131 cm D)
Shade: 4" Ø x 18.5" L
(10 Ø x 47 cm L)

**David
Weeks
Studio**



STOREFRONT
38 Walker Street
New York, NY 10013
212 966 3433

sales@DavidWeeksStudio.com
www.DavidWeeksStudio.com

February 2019