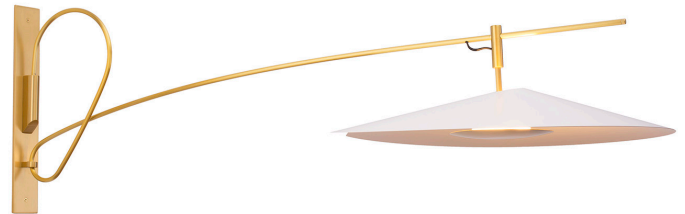
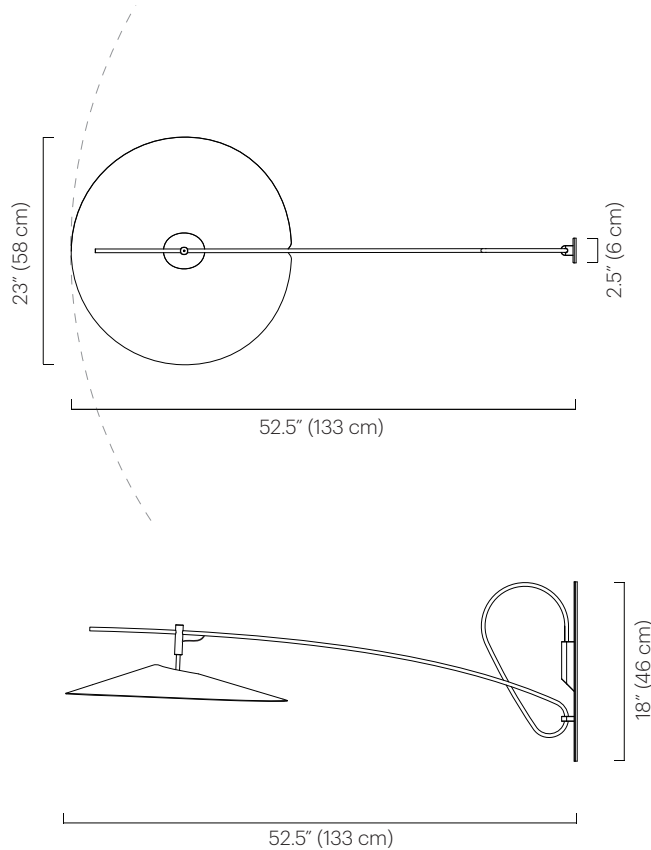


No. 218



Description

The Treble Sconce features a single arm anchored by a solid brass wall mount. The sconce has one Treble shade constructed from a flat cut aluminum pattern held together in tension, illuminated by a dimmable LED with a glass diffuser. The arm swings side to side from the wall mount.

Materials

Shade: Anodized or powdercoated aluminum
 Frame: Plated brass
 Wallmount: Plated brass
 Lamp enclosure: Glass, aluminum, steel and plated brass.

Shade Color

Powdercoated:

- Black Satin (ivory satin interior)
- Grey Gloss (ivory satin interior)
- Ivory Satin (ivory satin interior)
- White Satin (white satin interior)

Custom colors available.

Anodized:

- Polished Black (matte gold interior)
- Polished Black (red ombre interior)

Finish

- Brushed Brass
- Polished Nickel

Custom finishes available.

Lamping

LED: Warm white 2700K
 Lumens: 825 (equivalent to one 60W incandescent bulb)
 CRI: 90+
 54,000 LED life hours (approx.)

Dimmer Compatibility

Leading edge (TRIAC) or Trailing Edge (ELV)

Voltage / Wattage

120V (Direct Voltage) / 10W

Weight

15 lbs (6.8 kg)

Remarks

Arm length is fixed.
 Shade does not rotate.
 Black exterior electrical cord is standard.
 Custom arm length available 36" - 72" (91-182 cm)
 Additional weight support recommended.
 Hardware finish consistent with frame finish.
 Indoor use and dry locations only.
 Wall mount designed to fit 2" x 4" vertical switch box only.

Dimensions

52.5" L x 23" W x 18" H
 (133 L x 58 W x 46 cm H)
 Shade: 23" Ø x 4" H
 (58 Ø x 10 cm H)
 Wallmount: 2.5" W x 18" H
 (6 W x 46 cm H)