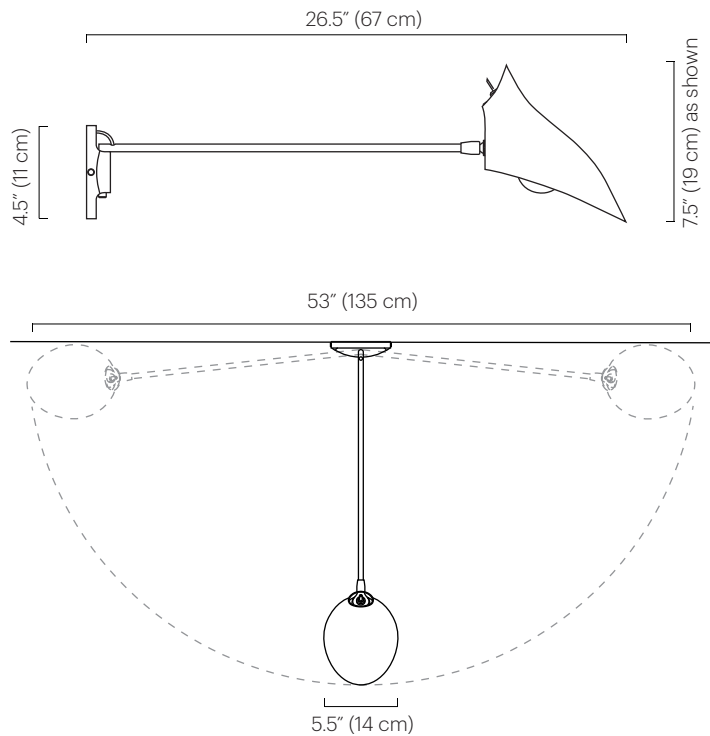


No. 202



Description

The One Arm Sconce features a single arm affixed to a solid wood wall mount and steel mounting ring. The arm swings from side to side with a handspun aluminum Bottle shade. The shade rotates 320° to cast light directionally.

Materials

Shade: Powder coated aluminum
 Wall Mount: Finished wood
 Arm: Plated steel
 Mounting Ring: Plated steel

Shade Color

- Black Satin (ivory satin interior)
- Grey Gloss (ivory satin interior)
- Ivory Satin (ivory satin interior)

Finish

- Polished Nickel
- Brushed Brass

Weight

5 lbs (2.3 kg)

Wall Mount

- (matches specified shade)
- Black Satin: Opaque paint on maple
 - Grey Gloss: Opaque paint on maple
 - Ivory Satin: Opaque paint on maple

Lamping

120V: A19 or A15 medium base 60W max
 Note: Bulbs not included.
 Halogen bulbs not recommended.

Wattage

60 watts max

Remarks

UL listed.
 Hardwired is standard.
 120V: Switch is on shade.
 Mounting ring matches arm finish.
 Walnut and maple wood mounts will vary in color from fixture to fixture.
 Indoor use and dry locations only.

Dimensions

Arm Length: 26.5" (67 cm)
 Wingspan: 53" (135 cm)
 Wall mount diameter: 4.5" (11 cm)
 Shade: 8.5" H x 5.5" W 8.5" D
 (22 H x 14 W x 22 cm D)

