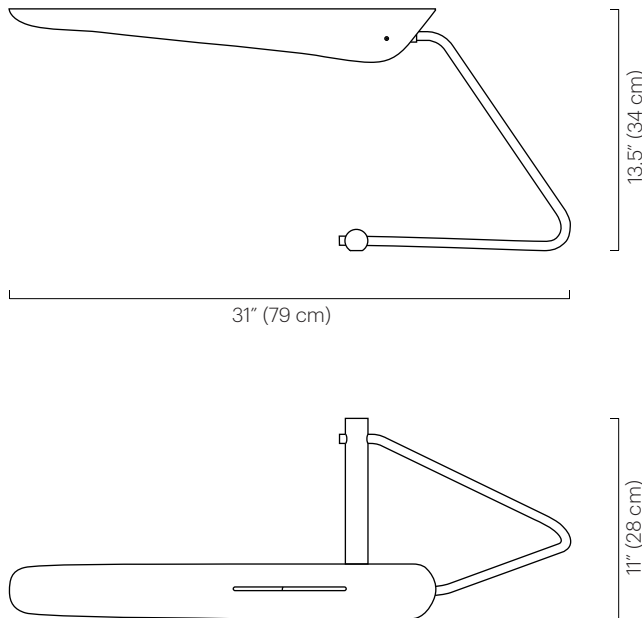


No. 113



Description

The Sarus shade is mounted to a hand bent steel frame. The powder coated aluminum shade rotates 320° to cast light directionally.

Materials

Shade: Powder coated aluminum
 Frame: Plated steel
 Base: Powder coated steel

Base & Shade Color

- Black Satin (ivory satin interior)
- Grey Gloss (ivory satin interior)
- Ivory Satin (ivory satin interior)
- White Satin (white satin interior)

Custom colors available.

Finish

- Polished Nickel
- Brushed Brass

Custom finishes available.

Lamping

120V: T10 tubular incandescent medium base 60W max
 220-240V: E27 base (tubular 32mm recommended) 60W max
 Note: Bulbs not included.
 Halogen bulbs not recommended.

Wattage

60 watts max

Weight

5 lbs (2.3 kg)

Remarks

Available to be wired UL.
 On/Off switch located on cord.
 Shade and base are same color.
 Cord color is black;
 length approx. 7 feet.
 Indoor use and dry locations only.

Dimensions

31" D x 11" W x 13.5" H
 (79 D x 28 W x 34 cm H)
 Shade: 3" Ø x 23" L
 (8 Ø x 58 cm L)