

Thank you for your purchase of a David Weeks Studio lighting fixture. We use only the highest quality UL compliant components from the USA and Europe. Each lamp is fabricated and assembled in our Brooklyn, NY shop. We make every effort to produce our lights to the highest standards.

OTTO Double

No 445 INSTALL INSTRUCTIONS

Warranty

- David Weeks Studio (DWS) will guarantee its products to be free from defects in workmanship for a period of five (5) years from date of shipment. Parts and materials are guaranteed to be free of defects for one (1) year from date of shipment. During this warranty period, DWS will repair or replace, at its option, free of charge, products or parts that are proven to be defective. This warranty does not apply to damages resulting from accident, abuse, alteration, tampering, misuse, mishandling, or negligence. Defective products will be replaced within the normal production time period required to reorder and manufacture the same product.
- Transportation of fixtures in need of repair will be the responsibility of buyer. Handling of fixtures in transport will be the responsibility of buyer. DWS will not be held responsible for damages which occur during installation, or by transportation after the initial packing material is removed. DWS will not be responsible for any products subjected to inappropriate application or fixtures installed or modified in any way that is not in accordance with DWS instructions. Any modification of fixtures absolves DWS of any liability and voids warranty.

Important!

- Please do not remove the fixture from rigid packaging prior to installation.
- Please refer to labels for following unpacking sequence.
- Before installation ensure power supply is disconnected at fuse box.
- Fixtures are designed for normal climate conditions.
- Lighting is for use in dry locations and indoor environments.
- This lamp must be installed in accordance with the applicable installation code by a person familiar with the construction and operation of the product and the hazards involved.

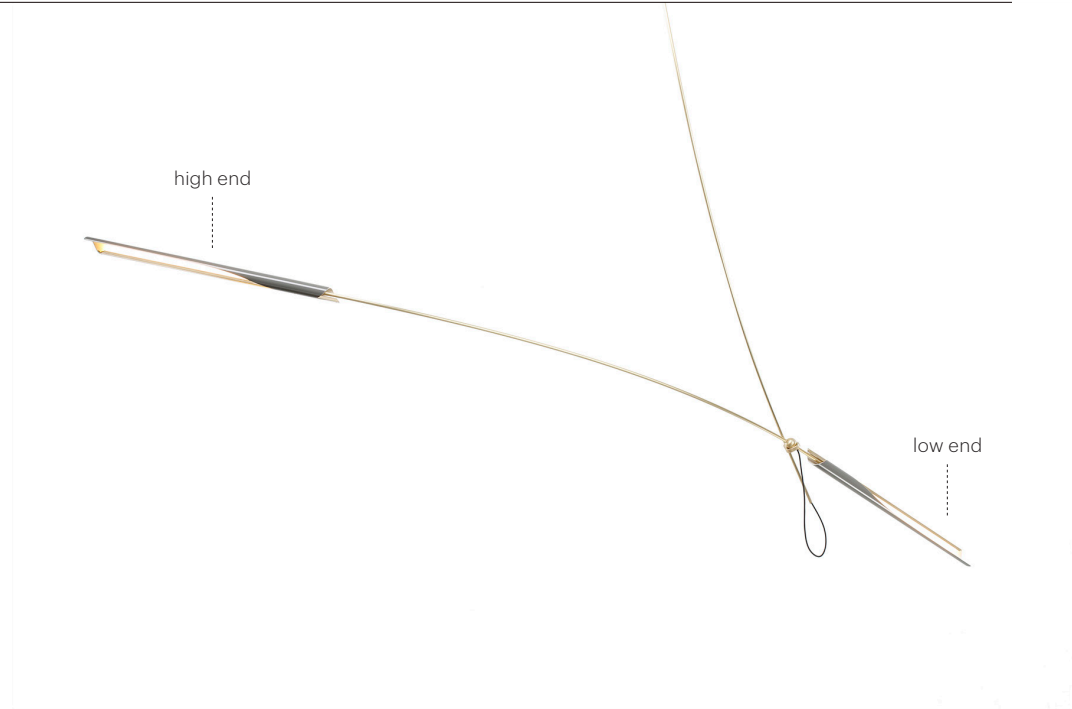
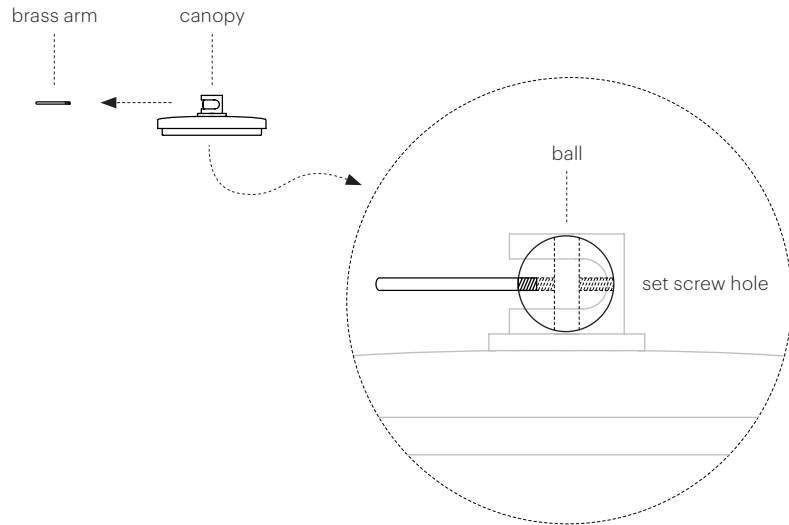
Care Instructions

- Arms, hardware and shades can be cleaned with any mild spray cleaner or soft cloth to remove fingerprints or dust. Do not touch or clean LEDs.

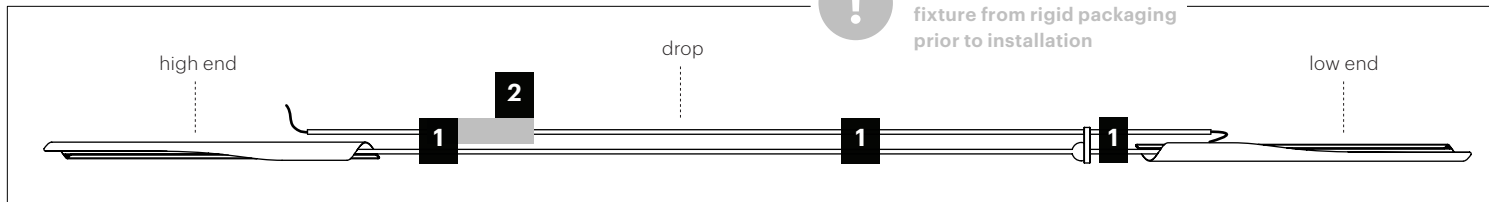
Power Supply

- For 120V areas: included in canopy
- For 220-240V areas: remote power supply only. Not included.

1

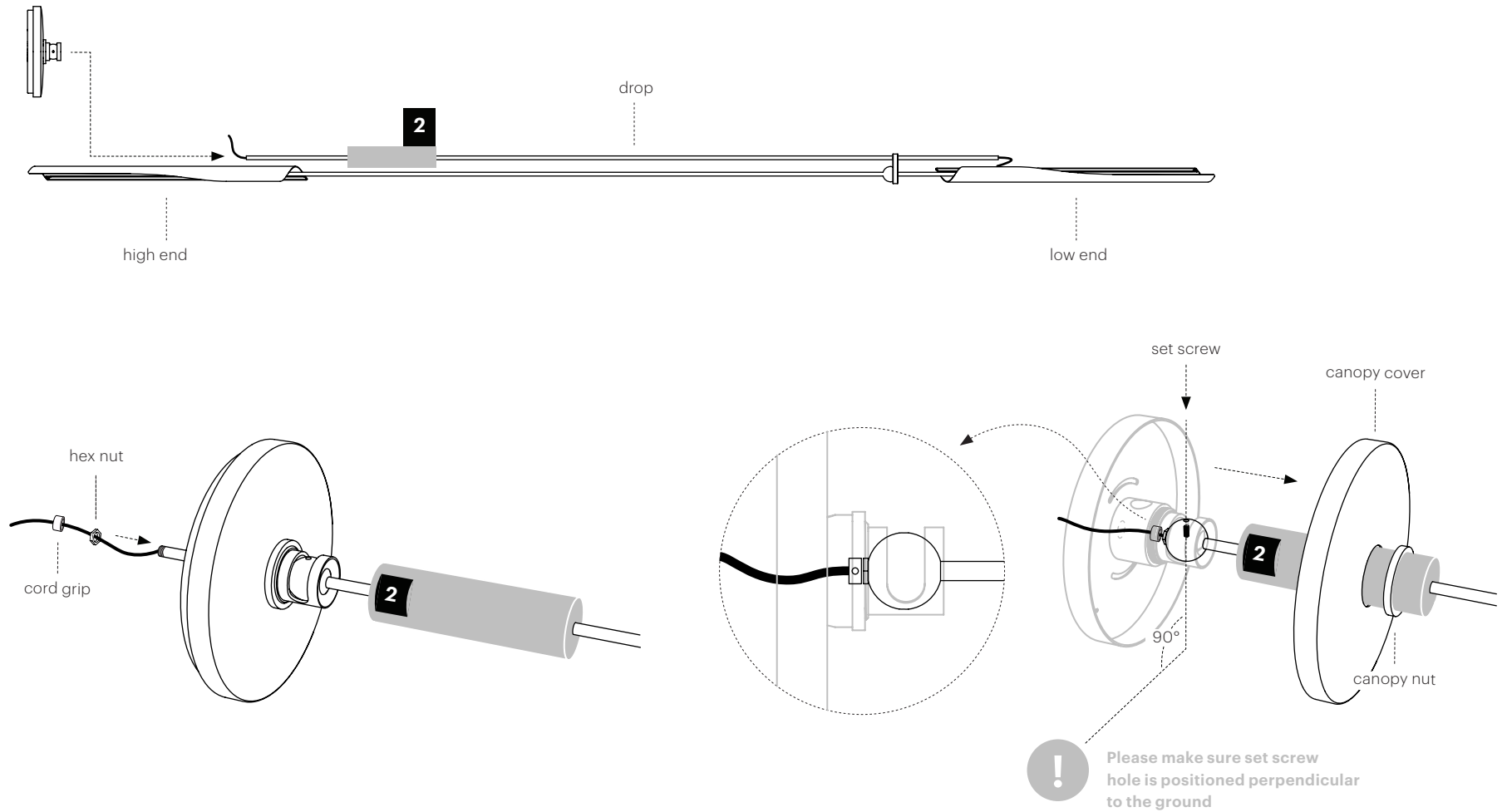


Please do not remove the fixture from rigid packaging prior to installation



1. All fixtures are built for standard 4" U.S. J-box.
2. Two people are required as per instructions for proper and safe installation of fixture.
3. Fixtures weigh between 5-10 lbs. Make sure location has adequate support; additional weight support recommended for junction box installation.
4. Remove the fixture from rigid packaging. Refer to labels for following unpacking sequence. DO NOT use razor blade to open bubble wrap; shades scratch easily.
5. Turn off circuit breaker connected to junction box (J-box) where fixture is being installed.
6. Lay fixture and canopy carefully on a padded flat surface as shown above.
7. Remove all brown paper and label 1 packaging.
8. Unscrew the brass arm from the ball and leave the set screw in place on the other side.

2



1. Carefully slide canopy over drop until drop comes out from the other side of canopy to reveal threads.
2. Screw hex nut to drop, secure cord grip to wire above hex nut and slide canopy all the way back until hex nut sits against ball.
3. Find set screw hole on ball and rotate until it faces upward. Secure ball on drop by tightening set screw. This will ensure fixture has correct range of motion.
4. Unscrew canopy nut to separate canopy cover. Secure canopy cover and canopy nut on label **2** packaging.

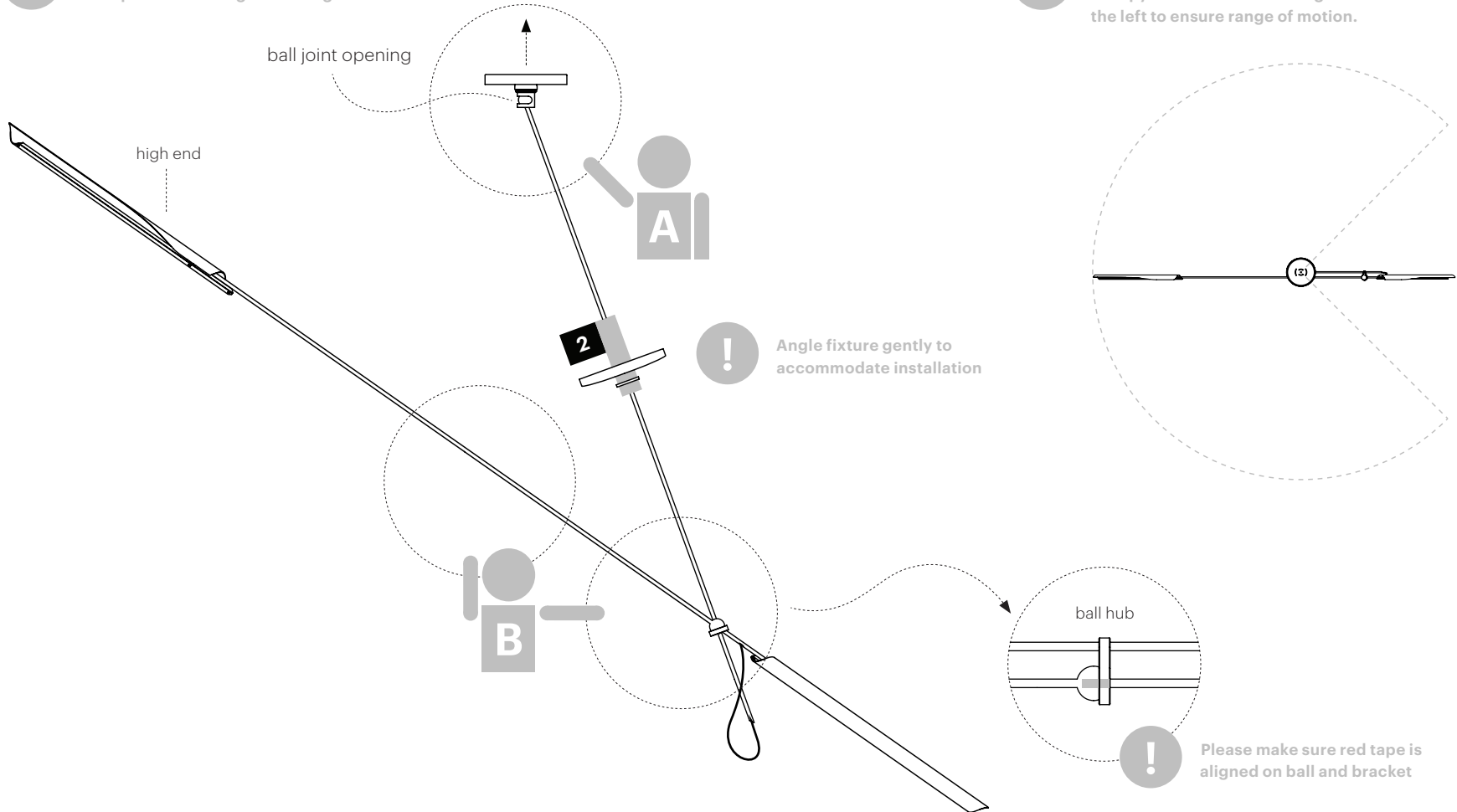
3



Please be attentive to keeping the tip from touching the ceiling



Please make sure ball joint opening on canopy is oriented as drawing shown on the left to ensure range of motion.



1. **Two people are required as per instructions for proper and safe installation of fixture.**

2. Person A picks up the drop, while Person B lifts and holds the fixture, making sure ball hub remain in bracket, red tape is aligned, and wire isn't twisted. See drawing above. If red tape is not aligned, please lay fixture carefully back on a flat

surface. Contact David Weeks Studio for further instruction.

3. Person A moves the fixture slowly upward to junction box (J-Box). Person B needs to be attentive to keeping ball hub remain in bracket at all time.

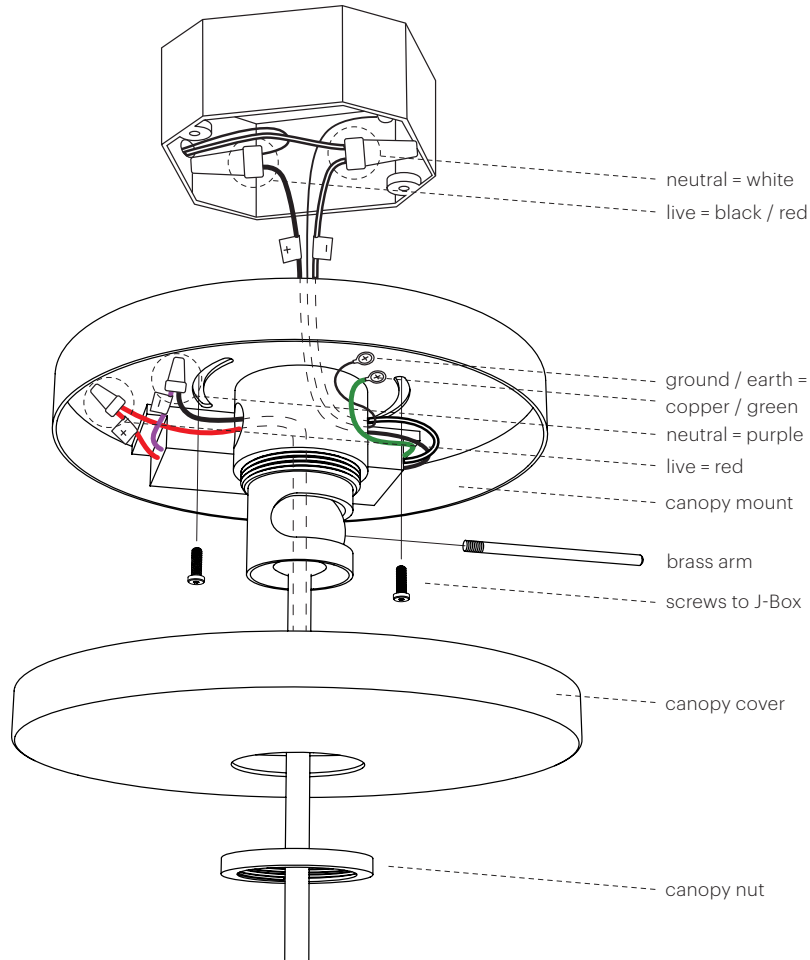
4. Make sure ball joint opening on canopy is oriented as drawing shown above

to ensure range of motion shown in diagram.

5. Person A mounts the canopy to J-Box with one 8-32 screw. This will provide some support from J-box and room to complete wiring.

4

120V areas

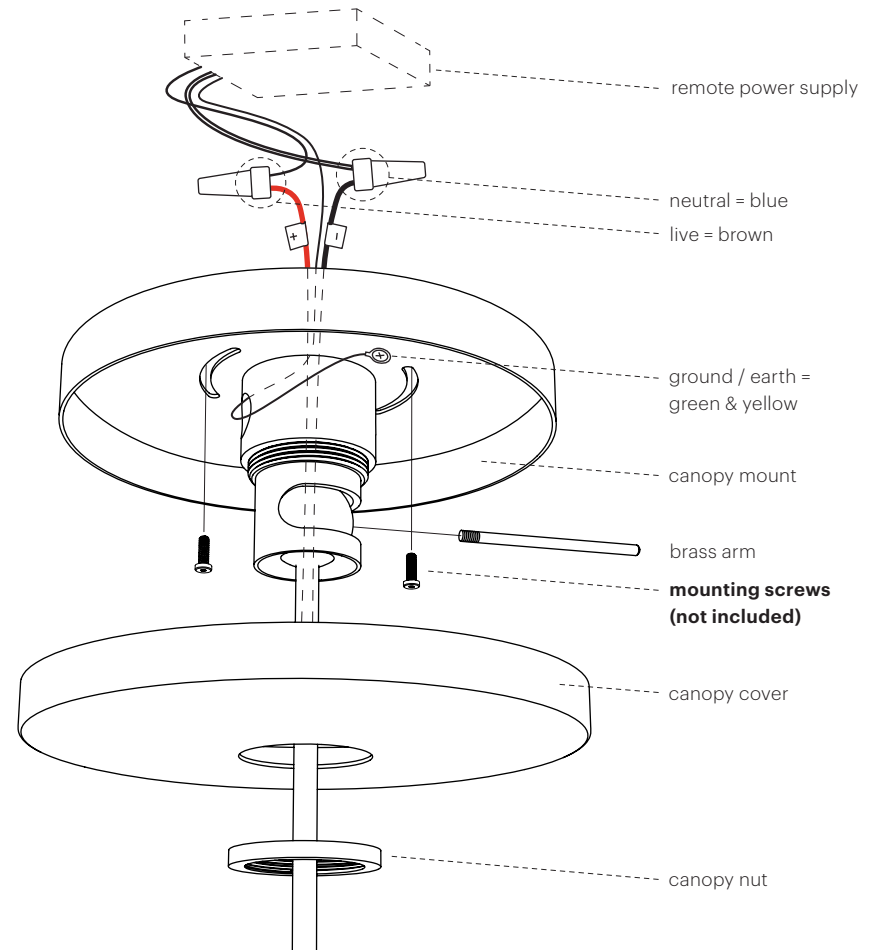


1. Continue to support fixture, and connect each wire to its corresponding wire: live to live, neutral to neutral, and ground to ground in J-box. Use wire nuts to secure wires, and wrap the connection in electrical tape. DO NOT disconnect the red, black, and purple wires from the power source to the fixture.

2. Once all wires are connected and excess wire is safely inside J-box, screw other 8-32 screw into J-box and tighten canopy mount to ceiling.

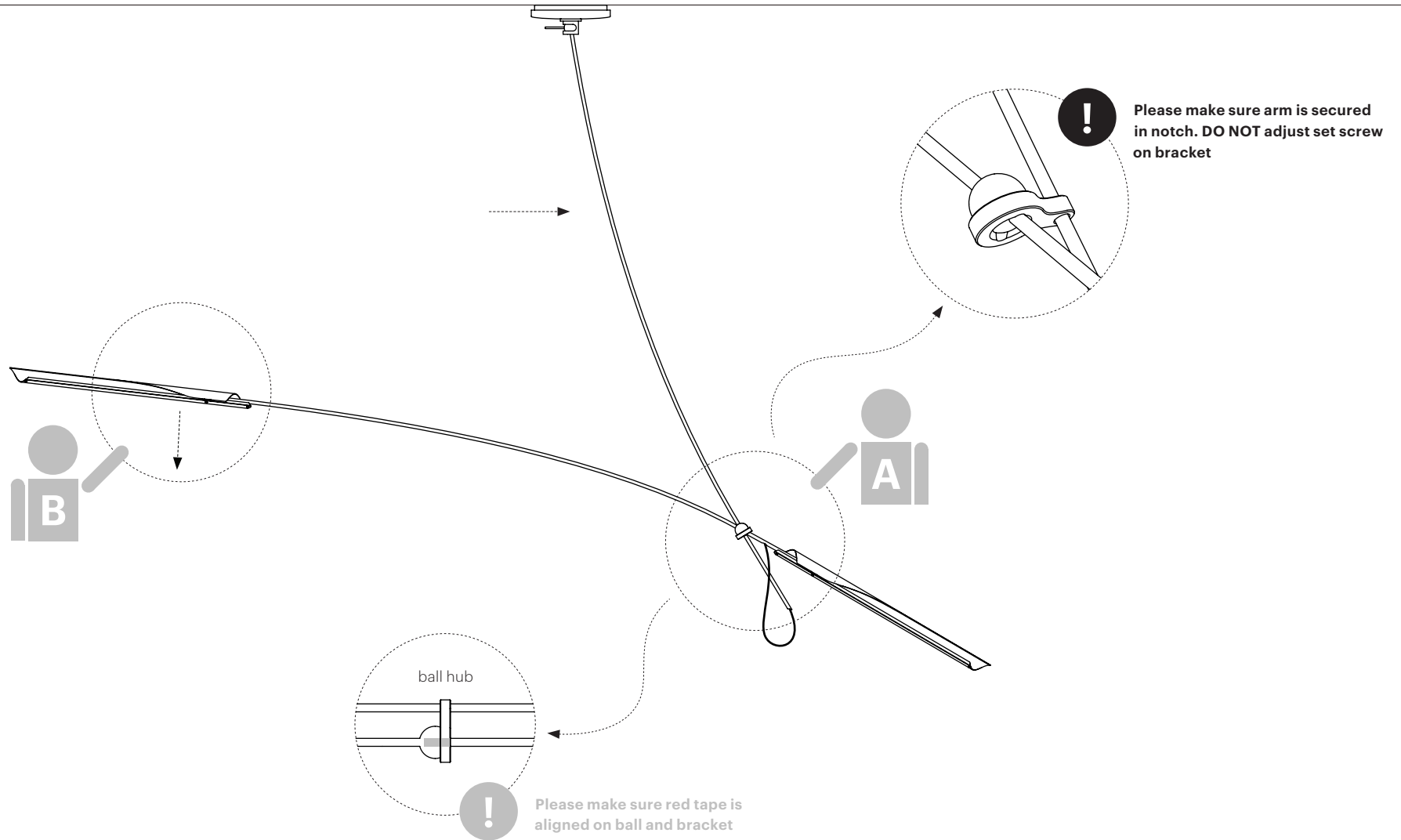
3. Remove label **2** packaging from drop.

220-240V areas



4. Replace the canopy cover over the canopy mount. Screw the canopy nut on to hold the cover in place. Screw the brass arm back into the brass ball.

5



1. Carefully remove bubble wrap from shades.
2. Two people gently hold the fixture at designated areas and allow the fixture to swing back and naturally settle. DO NOT drop the fixture.
3. Person A makes sure red tape is aligned on ball hub and bracket. If red tape is not aligned, please disinstall and lay fixture carefully on a flat surface. Contact David Weeks Studio for further instruction.
4. **Please make sure arm is secured in notch. Never adjust set screw on bracket.**
5. **Lastly remove plastic wrap and red tape on ball hub.**
6. Orient fixture to desired location by rotating brass arm on canopy. DO NOT attempt to turn fixture past stopping point on canopy.