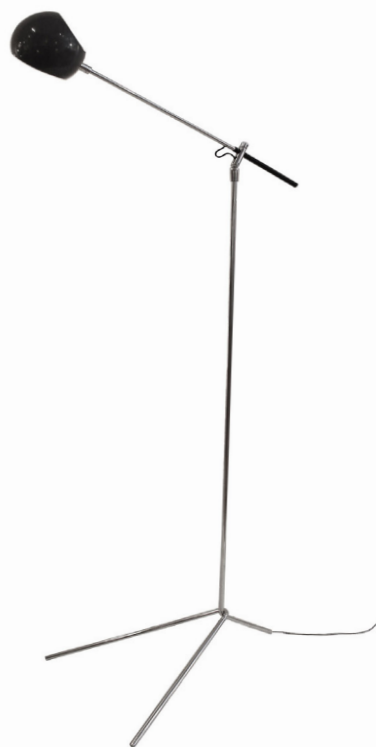
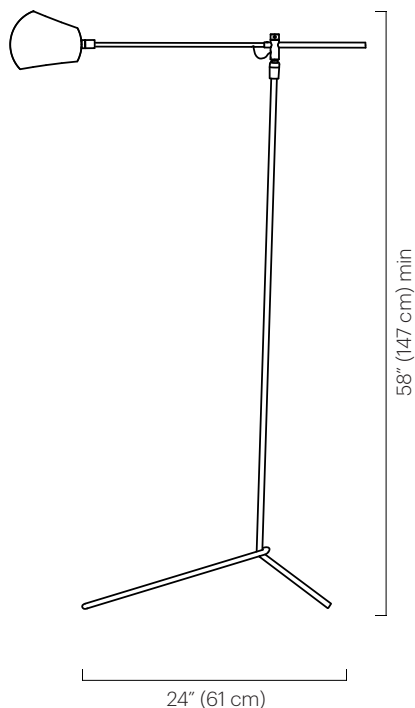
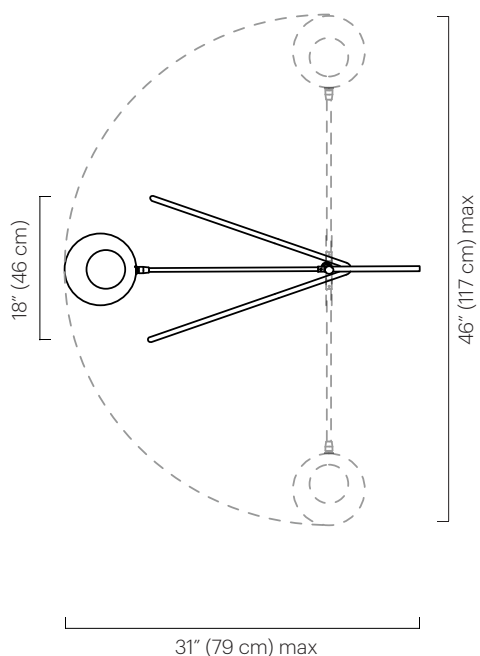


Monopod

TECHNICAL SPECIFICATIONS

No. 306



Description

The Monopod is a standing lamp that features a powder coated Boi shade with openings at the top and bottom. The counterweighted arm swivels side to side and adjusts up and down. The shade rotates 320° to cast light directionally.

Materials

Shade: Powder coated steel
 Frame: Plated steel
 Counterweight: Powder coated steel

Shade Color

- Black Satin (ivory satin interior)
- Grey Gloss (grey gloss interior)
- Ivory Satin (ivory satin interior)
- Orange Gloss (ivory satin interior)
- Black Gloss (black gloss interior)
- White Gloss (white gloss interior)

Custom colors available.

Finish

- Polished Nickel
- Brushed Brass

Lamping

120V: G16.5 globe
 candelabra base 60W max
 220-240V: E14 base golf ball
 60W max
 Note: Bulbs not included.
 Halogen bulbs not recommended.

Wattage

60 watts max

Weight

15 lbs (7 kg)

Remarks

Not UL listed.
 Dimmer switch on cord.
 Cord color is black;
 length approx. 10 feet.
 Counterweight is black.
 Indoor use and dry locations only.

Dimensions

24" D x 18" W x 58" H
 (61 D x 46 W x 147cm H)
 Max depth: 31" (79 cm)
 Shade height variable:
 Min height: 45" (114 cm)
 Max height: 66" (168 cm)
 Wingspan: 46" (117 cm)
 Shade: 6" Ø x 5.5" H
 (15 Ø x 14 cm H)

David Weeks Studio



STOREFRONT
 38 Walker Street
 New York, NY 10013
 212 966 3433

sales@DavidWeeksStudio.com
 www.DavidWeeksStudio.com