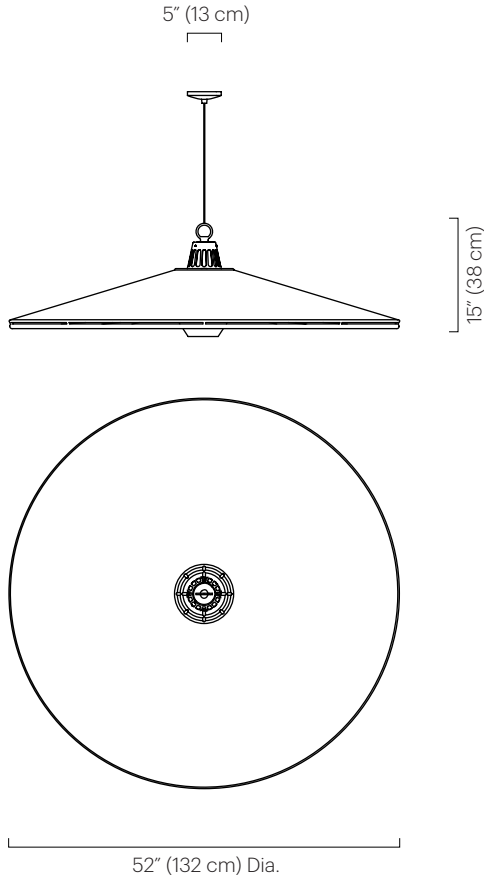


WAAW Pendant

TECHNICAL SPECIFICATIONS

No.450



Description

The WAAW outdoor collection was made in collaboration with Senegalese artist and designer Abdou Salam Gaye. The pendant features a large circular shade made of steel and woven with polyester cord using traditional methods. The open weave of the pendant allows for ambient light to cast through the shade. The lamp enclosure is made of hand blown glass. UL dry location standard, damp location upgrade allows pendant to be used under canopies or roofed porches.

Materials

Shade: Painted steel frame, polyester cords
 Lamp Enclosure: clear handblown glass
 Glass Cover: Powder coated aluminum
 Ceiling Mount: Powder coated steel
 Drop: Stainless steel cable

Glass Cover Color

● Gloss Grey

Lamping

US/Canada: A19 or A15 medium base 60W max
 Note: Bulbs not included.
 Halogen bulbs not recommended.

Wattage

60 watts max

Weight

28 lbs
 (13 kg)

Remarks

Colors may fade in direct sunlight, this is not considered a defect.
 UL dry location only.
 UL damp location available.
 Each product is handmade, dimensions may vary slightly.

Dimensions

52" Dia. x 15" H
 (132 Dia. x 38 cm H)
 Ceiling mount diameter: 5"
 (13 cm)



Colorways



Top:
English Green



Bottom:
Beige/Green



Top:
Burgundy



Bottom:
Orange/Pink



Top:
Military Green



Bottom:
Anthracite/Silver



Top (Radial):
Green/English Green



Bottom:
Beige/Green



Top (Radial):
Orange/Burgundy



Bottom:
Orange/Pink



Top (Radial):
Military Green/Anthracite



Bottom:
Anthracite/Silver

**David
Weeks
Studio**

STOREFRONT

38 Walker Street
 New York, NY 10013
 212 966 3433

sales@DavidWeeksStudio.com
 www.DavidWeeksStudio.com