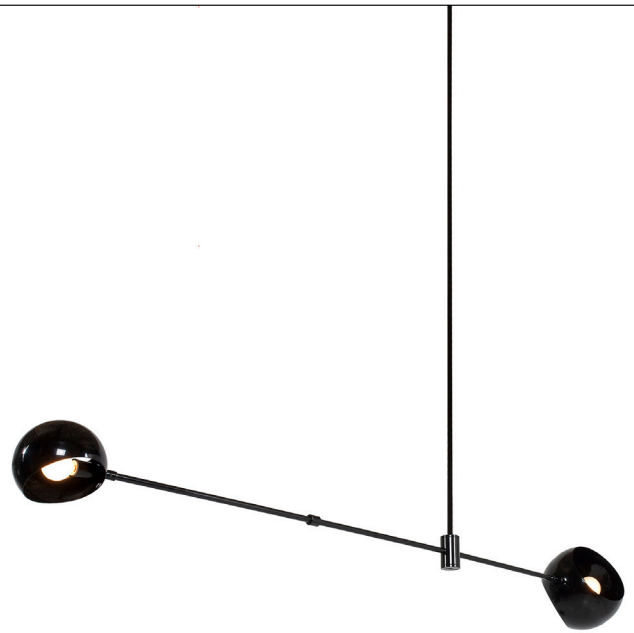
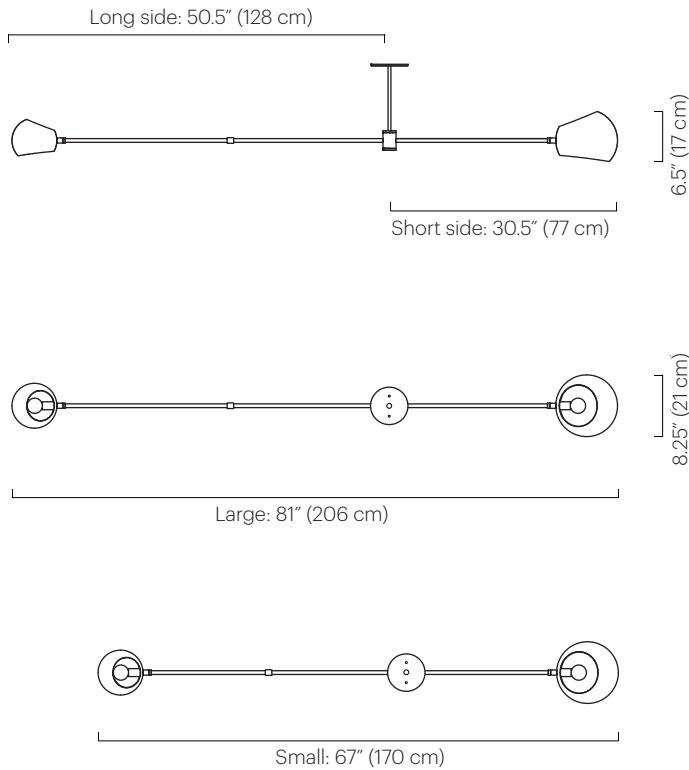


No. 435



Description

The Acaba is an asymmetrical fixture comprised of one large and one small Boi shade. Shades rotate 320° to cast light directionally. The Acaba is offered in two sizes and also works well when installed in multiples.

Materials

Shades: Powder coated steel
 Frame: Powder coated steel
 Ceiling mount: Powder coated steel
 Drop: Powder coated steel

Mount, Frame & Shade Color

- Black Gloss (black gloss interior)
- Grey Gloss (grey gloss interior)
- White Gloss (white gloss interior)

Custom colors available.

Lamping

120V: (1)A19 or A15 medium base bulb and (1)G16.5 globe candelabra base bulb 60W max
 220-240V: (1)E27 base 60W max and (1)E14 base golf ball 60W max
 Note: Bulbs not included.
 Halogen bulbs not recommended.

Wattage

120 watts max

Weight

10 lbs (4.5 kg)

Remarks

Specify drop length.
 Fixed drop not adjustable on site.
 Specify fixture length.
 Additional weight support recommended for junction box installation.
 Indoor use and dry locations only.

Dimensions

Fixture length options:
 Large: 81" (206 cm)
 Small: 67" (170 cm)
 Arm lengths from balance point:
 Large: long side: 50.5" (128 cm) / short side: 30.5" (77 cm)
 Small: long side: 43" (109 cm) / short side: 24" (61 cm)
 Ceiling mount diameter: 5" (13 cm)
 Minimum overall height: 6" (15 cm)
 Small shade: 6" Ø x 5.5" H (15 Ø x 14 cm H)
 Large Shade: 8.25" Ø x 6.5" H (21 Ø x 17 cm H)

