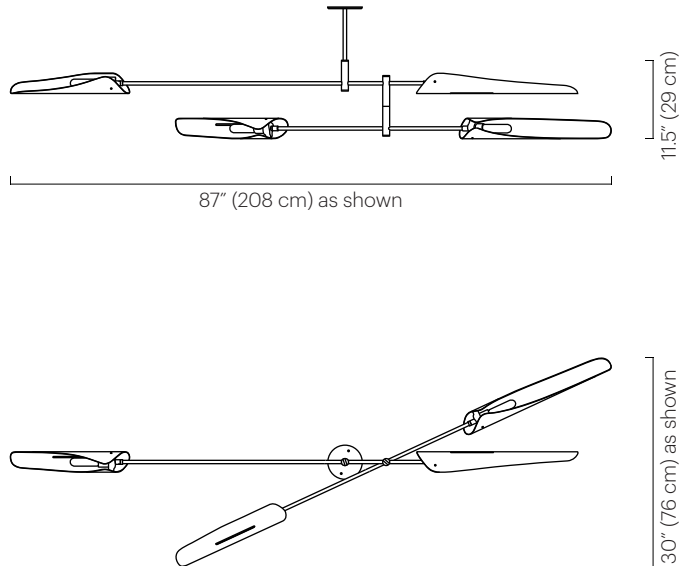


No. 428



Description

The Sarus Mobile is a carefully balanced fixture, featuring a combination of large and small Sarus shades on a plated steel frame. The powder coated aluminum shades are mounted on two tiers of differing lengths. Shades swivel 320 degrees and tiers scissor open when installed on site; arrangement is adjustable based on client specifications.

Materials

Shades: Powder coated aluminum
 Frame: Plated steel
 Ceiling mount: Powder coated steel
 Drop: Plated steel

Mount & Shade Color

- Black Satin (ivory satin interior for shade)
- Grey Gloss (ivory satin interior for shade)
- Ivory Satin (ivory satin interior for shade)

Custom colors available.

Finish

- Polished Nickel
- Brushed Brass

Lamping

US/Canada: (4)T10 tubular incandescent medium base 60W max
 Europe: (4)E27 base (tubular 32mm suggested) 60W max
 Note: Bulbs not included.
 Halogen bulbs not recommended.

Wattage

240 watts max

Weight

13 lbs (6 kg)

Remarks

Specify drop length. Fixed drop not adjustable on site. Tier lengths cannot be customized. Additional weight support recommended for junction box installation. Indoor use and dry locations only.

Dimensions

Tier 1: 82" (208 cm)
 Tier 2: 69" (175 cm)
 Large Shade: 23" L x 3" H x 3" W (59 L x 8 H x 8 cm W)
 Small Shade: 18" L x 3" H x 3" W (46 L x 8 H x 8 cm W)
 Ceiling mount diameter: 5" (13 cm)
 Minimum overall height: 12.5" (32 cm)

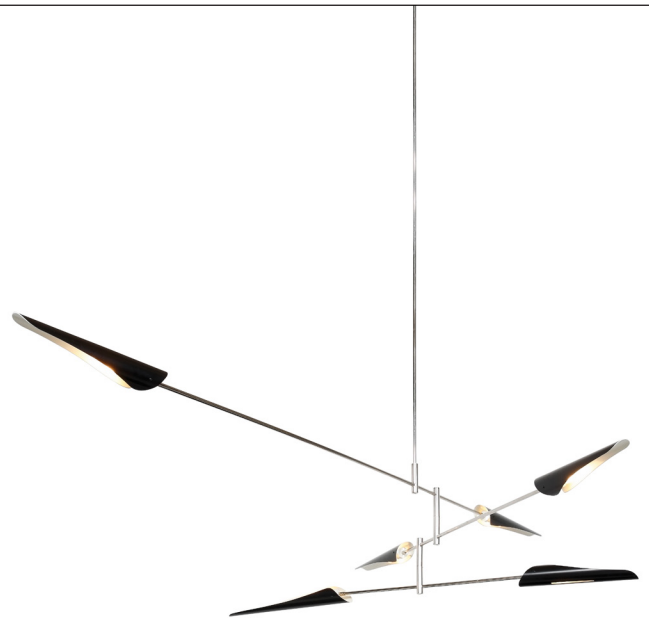
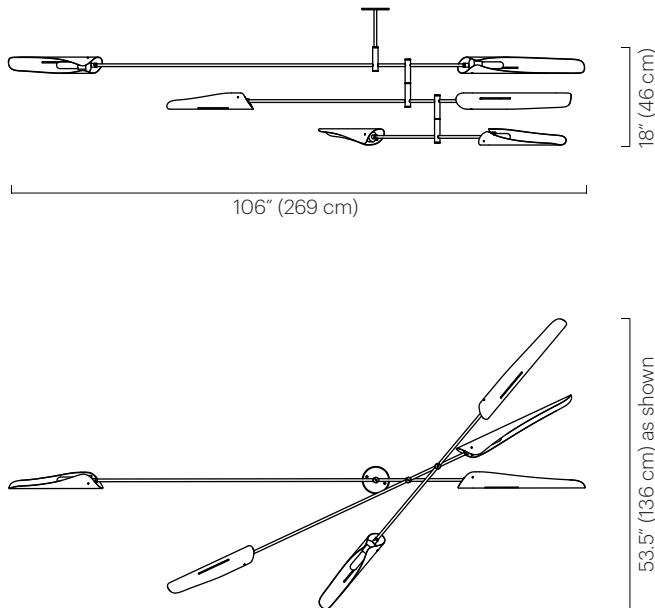


David Weeks Studio

STOREFRONT
 38 Walker Street
 New York, NY 10013
 212 966 3433

sales@DavidWeeksStudio.com
 www.DavidWeeksStudio.com

No. 428



Description

The Sarus Mobile is a carefully balanced fixture, featuring a combination of large and small Sarus shades on a plated steel frame. The powder coated aluminum shades are mounted on three tiers of differing lengths. Shades swivel 320 degrees and tiers scissor open when installed on site; arrangement is adjustable based on client specifications.

Materials

Shades: Powder coated aluminum
 Frame: Plated steel
 Ceiling mount: Powder coated steel
 Drop: Plated steel

Mount & Shade Color

- Black Satin (ivory satin interior for shade)
- Grey Gloss (ivory satin interior for shade)
- Ivory Satin (ivory satin interior for shade)

Custom colors available.

Finish

- Polished Nickel
- Brushed Brass

Lamping

US/Canada: (6)T10 tubular incandescent medium base 60W max
 Europe: (6)E27 base (tubular 32mm suggested) 60W max
 Note: Bulbs not included. Halogen bulbs not recommended.

Wattage

360 watts max

Weight

23 lbs (10 kg)

Remarks

Specify drop length. Fixed drop not adjustable on site. Tier lengths cannot be customized. Due to the length of tiers, a natural arc occurs on the longest tier. Additional weight support recommended for junction box installation. Indoor use and dry locations only.

Dimensions

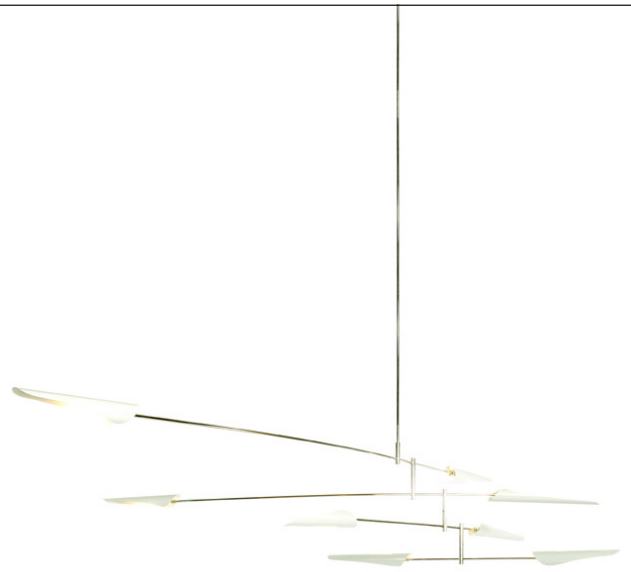
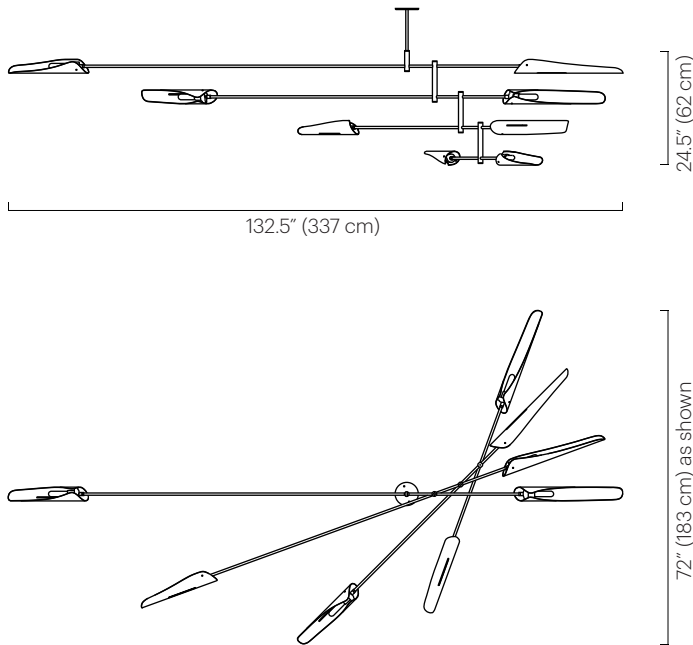
Tier 1: 106" (269 cm)
 Tier 2: 82" (208 cm)
 Tier 3: 69" (175 cm)
 Large Shade: 23" L x 3" H x 3" W (59 L x 8 H x 8 cm W)
 Small Shade: 18" L x 3" H x 3" W (46 L x 8 H x 8 cm W)
 Ceiling mount diameter: 5" (13 cm)
 Minimum overall height: 19.5" (50 cm)



Sarus Mobile, 4 Tier

TECHNICAL SPECIFICATIONS

No. 428



Description

The Sarus Mobile is a carefully balanced fixture, featuring a combination of large and small Sarus shades on a plated steel frame. The powder coated aluminum shades are mounted on four tiers of differing lengths. Shades swivel 320 degrees and tiers scissor open when installed on site; arrangement is adjustable based on client specifications.

Materials

Shades: Powder coated aluminum
 Frame: Plated steel
 Ceiling mount: Powder coated steel
 Drop: Plated steel

Mount & Shade Color

- Black Satin (ivory satin interior for shade)
- Grey Gloss (ivory satin interior for shade)
- Ivory Satin (ivory satin interior for shade)

Custom colors available.

Finish

- Polished Nickel
- Brushed Brass

Lamping

US/Canada: (8)T10 tubular incandescent medium base 60W max
 Europe: (8)E27 base (tubular 32mm suggested) 60W max
 Note: Bulbs not included. Halogen bulbs not recommended.

Wattage

480 watts max

Weight

33 lbs (15 kg)

Remarks

Specify drop length. Fixed drop not adjustable on site. Tier lengths cannot be customized. Due to the length of tiers, a natural arc occurs on the longest tier. Additional weight support recommended for junction box installation. Indoor use and dry locations only.

Dimensions

Tier 1: 132.5" (337 cm)
 Tier 2: 106" (269 cm)
 Tier 3: 82" (208 cm)
 Tier 4: 69" (175 cm)
 Large Shade: 23" L x 3" H x 3" W (59 L x 8 H x 8 cm W)
 Small Shade: 18" L x 3" H x 3" W (46 L x 8 H x 8 cm W)
 Ceiling mount diameter: 5" (13 cm)
 Minimum overall height: 25.5" (65 cm)



David Weeks Studio

STOREFRONT
 38 Walker Street
 New York, NY 10013
 212 966 3433

sales@DavidWeeksStudio.com
 www.DavidWeeksStudio.com